



Hi-Lo "N" SERIES PUMPS

	Model	HP	Stages	Discharge	Length (PEO)	Weight (PEO)	List Price
5 GPM N-SERIES 4" PEO	5HL05N	½	12	1¼"	14.1"	7.9	\$ -
	5HL07N	¾	15	1¼"	16.2"	9.1	\$ -
	5HL10N	1	20	1¼"	19.6"	10.8	\$ -
	5HL15N	1½	26	1¼"	25.3"	12.8	\$ -
	5HL20N	2	33	1¼"	29.8"	16.1	\$ -
7 GPM N-SERIES 4" PEO	7HL05N	½	10	1¼"	13.4"	7.2	\$ -
	7HL07N	¾	13	1¼"	15.6"	9.1	\$ -
	7HL10N	1	17	1¼"	18.4"	10.2	\$ -
	7HL15N	1½	22	1¼"	22"	12.3	\$ -
	7HL20N	2	27	1¼"	26.5"	15.2	\$ -
	7HL30N	3	34	1¼"	31.7"	18.1	\$ -
10 GPM N-SERIES 4" PEO	10HL05N	½	7	1¼"	10.7"	6.2	\$ -
	10HL07N	¾	10	1¼"	12.8"	7.3	\$ -
	10HL10N	1	12	1¼"	14.1"	7.9	\$ -
	10HL15N	1½	17	1¼"	17.6"	9.7	\$ -
	10HL20N	2	20	1¼"	19.6"	10.8	\$ -
	10HL30N	3	27	1¼"	26.1"	13.2	\$ -
	10HL50N	5	42	1¼"	36.1"	19.4	\$ -
13 GPM N-SERIES 4" PEO	13HL07N	¾	7	1¼"	10.7"	6.2	\$ -
	13HL10N	1	10	1¼"	12.8"	7.1	\$ -
	13HL15N	1½	12	1¼"	14.1"	7.7	\$ -
	13HL20N	2	17	1¼"	17.6"	9.5	\$ -
	13HL30N	3	21	1¼"	20.4"	11	\$ -
	13HL50N	5	35	1¼"	34.4"	19	\$ -
18 GPM N-SERIES 4" PEO	18HL05N	½	5	1¼"	10.5"	6	\$ -
	18HL07N	¾	6	1¼"	11"	6.2	\$ -
	18HL10N	1	8	1¼"	12.7"	6.8	\$ -
	18HL15N	1½	11	1¼"	15.2"	7.9	\$ -
	18HL20N	2	14	1¼"	17.8"	9	\$ -
	18HL30N	3	19	1¼"	22"	10.8	\$ -
	18HL50N	5	30	1¼"	32.6"	15.6	\$ -
25 GPM N-SERIES 4" PEO	25HL10N	1	7	1½"	12.6"	6.9	\$ -
	25HL15N	1½	9	1½"	14.6"	7.7	\$ -
	25HL20N	2	11	1½"	16.5"	8.6	\$ -
	25HL30N	3	15	1½"	20.4"	10.3	\$ -
	25HL30N	5	26	1½"	32.5"	15.6	\$ -



Hi-Lo "N" SERIES HI CAP PUMPS

	Model	HP	Stages	Discharge	Length (PEO)	Weight (PEO)	List Price
35 GPM N-SERIES 4" PEO	35HL10N	1	6	2"	14.1"	7.5	\$ -
	35HL15N	1½	8	2"	16.6"	8.8	\$ -
	35HL20N	2	10	2"	19"	10.1	\$ -
	35HL30N	3	14	2"	23.9"	12.5	\$ -
	35HL50N	5	24	2"	35.2"	17.8	\$ -
	35HL75N	7½	34	2"	49.5"	25.5	\$ -
	35HL100N	10	43	2"	51.9"	31.2	\$ -
55 GPM N-SERIES 4" PEO	55HL15N	1½	5	2"	17"	9.5	\$ -
	55HL20N	2	7	2"	21.1"	11.7	\$ -
	55HL30N	3	9	2"	25.2"	13.6	\$ -
	55HL50N	5	15	2"	37.5"	19.5	\$ -
	55HL75N	7½	22	2"	53"	27	\$ -
	55HL100N	10	29	2"	67.2"	34.3	\$ -
80 GPM N-SERIES 4" PEO	80HL30N	3	5	2"	18.6"	9.7	\$ -
	80HL50N	5	9	2"	29.3"	15.2	\$ -
	80HL75N	7½	14	2"	42.6"	21.8	\$ -
	80HL100N	10	16	2"	55.5"	27	\$ -



SIMFLO



N SERIES

- Stainless steel discharge with built-in check valve
- Stainless steel motor adapter, strainer & pump casing
- Stainless steel bowls
- Stainless steel pump shaft and coupling
- Noryl floating impellers
- Durable urethane bearings
- Available in 4" diameters
- Capacities available from 5 GPM to 80 GPM



Hi-Lo "S" SERIES PUMPS

	Model	HP	Stages	Discharge	Length (PEO)	Weight (PEO)	List Price
5 GPM S-SERIES 4" PEO	5HL05S	½	13	1¼"	17.3"	8	\$ -
	5HL07S	¾	18	1¼"	21.5"	10	\$ -
	5HL10S	1	22	1¼"	24.8"	12	\$ -
	5HL15S	1½	26	1¼"	28.1"	13	\$ -
	5HL15SH	1½	31	1¼"	33.1"	20	\$ -
7 GPM S-SERIES 4" PEO	7HL05S	½	11	1¼"	15.2"	10	\$ -
	7HL07S	¾	15	1¼"	18.5"	11	\$ -
	7HL10S	1	19	1¼"	21.8"	12	\$ -
	7HL15S	1½	26	1¼"	27.6"	16	\$ -
	7HL20S	2	32	1¼"	34.5"	27	\$ -
10 GPM S-SERIES 4" PEO	10HL05S	½	9	1¼"	14"	7	\$ -
	10HL07S	¾	12	1¼"	16.5"	8	\$ -
	10HL10S	1	15	1¼"	19"	9	\$ -
	10HL15S	1½	21	1¼"	23.9"	12	\$ -
	10HL20S	2	27	1¼"	28.9"	14	\$ -
	10HL30S	3	34	1¼"	35.6"	22	\$ -
	10HL50S	5	48	1¼"	47.7"	38	\$ -
	10HL50SH	5	58	1¼"	64.5"	42	\$ -
18 GPM S-SERIES 4" PEO	18HL05S	½	5	1¼"	10.7"	5	\$ -
	18HL07S	¾	7	1¼"	12.4"	6	\$ -
	18HL10S	1	9	1¼"	14"	7	\$ -
	18HL15S	1½	13	1¼"	17.3"	9	\$ -
	18HL20S	2	17	1¼"	20.6"	10	\$ -
	18HL30S	3	23	1¼"	25.6"	13	\$ -
	18HL50S	5	36	1¼"	37.2"	23	\$ -
	18HL75S	7½	56	1¼"	68.8"	45	\$ -
	18HL100S	10	75	1¼"	84.5"	60	\$ -
25 GPM S-SERIES 4" PEO	25HL05S	½	4	* 1½" *	9.9"	5	\$ -
	25HL07S	¾	5	* 1½" *	10.7"	5	\$ -
	25HL10S	1	7	* 1½" *	12.4"	6	\$ -
	25HL15S	1½	9	* 1½" *	14"	7	\$ -
	25HL20S	2	11	* 1½" *	15.6"	8	\$ -
	25HL30S	3	15	* 1½" *	19"	9	\$ -
	25HL50S	5	26	* 1½" *	28.3"	14	\$ -
	25HL75S	7½	39	* 1½" *	39.1"	25	\$ -
	25HL100S	10	52	* 1½" *	65.5"	47	\$ -



Hi-Lo "S" SERIES Hi Cap PUMPS

	Model	HP	Stages	Top	Length	Weight	List Price
40 GPM S-SERIES 4" PEO	40HL10S	1	4	2"	14.6"	8	\$ -
	40HL15S	1½	5	2"	16.2"	9	\$ -
	40HL20S	2	7	2"	19.5"	12	\$ -
	40HL30S	3	9	2"	22.8"	14	\$ -
	40HL50S	5	15	2"	32.8"	21	\$ -
	40HL75S	7½	25	2"	49.3"	32	\$ -
	40SL100S	10	30	2"	57.5"	37	\$ -
70 GPM S-SERIES 4" PEO	70HL20S	2	3	2"	14.8"	8	\$ -
	70HL30S	3	5	2"	19.9"	12	\$ -
	70HL50S	5	8	2"	27.6"	16	\$ -
	70HL75S	7½	12	2"	37.8"	21	\$ -
	70HL100S	10	16	2"	48"	27	\$ -



SIMFLO



S SERIES

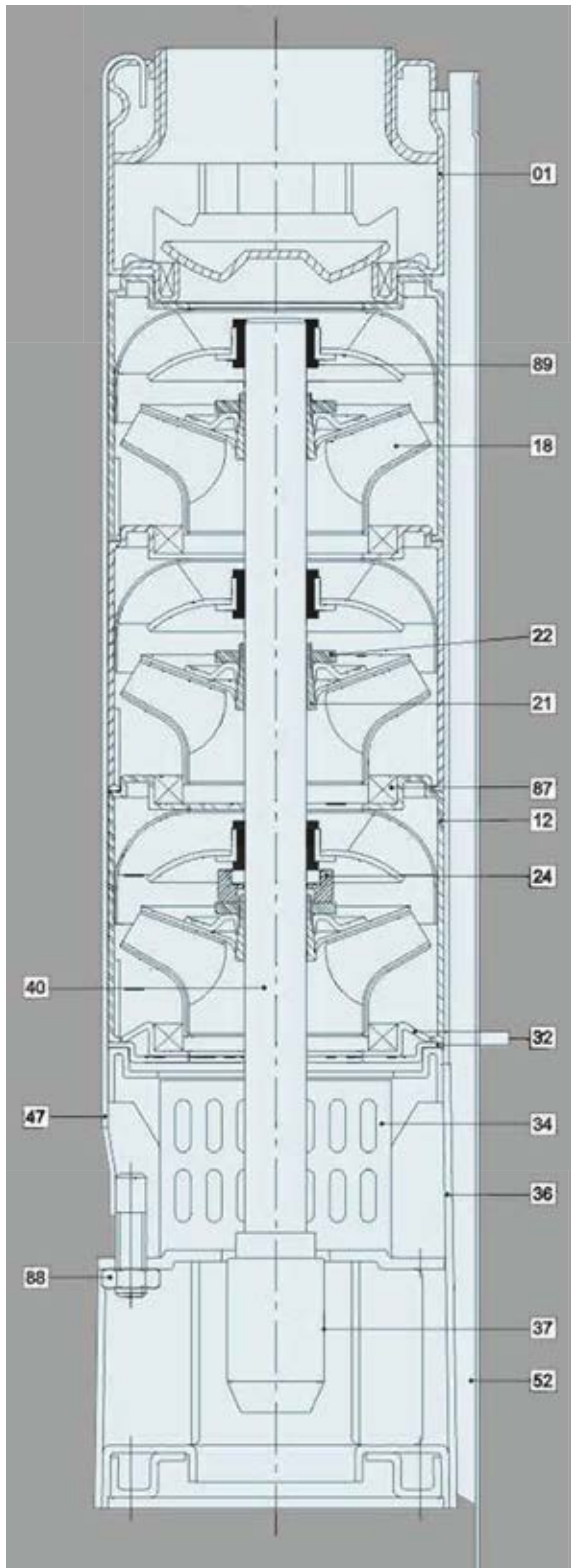
- Stainless steel construction
- Stainless steel discharge with built-in check valve
- High-efficiency stainless steel impellers and diffusers
- Stainless steel suction screen
- Stainless steel shaft and coupling
- Stainless steel NEMA faced mounting bracket
- Capacities available from 5 GPM to 70 GPM

SIMFLO 4" Hi/Lo Data Booklet



General Material Data

Hi/Lo "S" Series

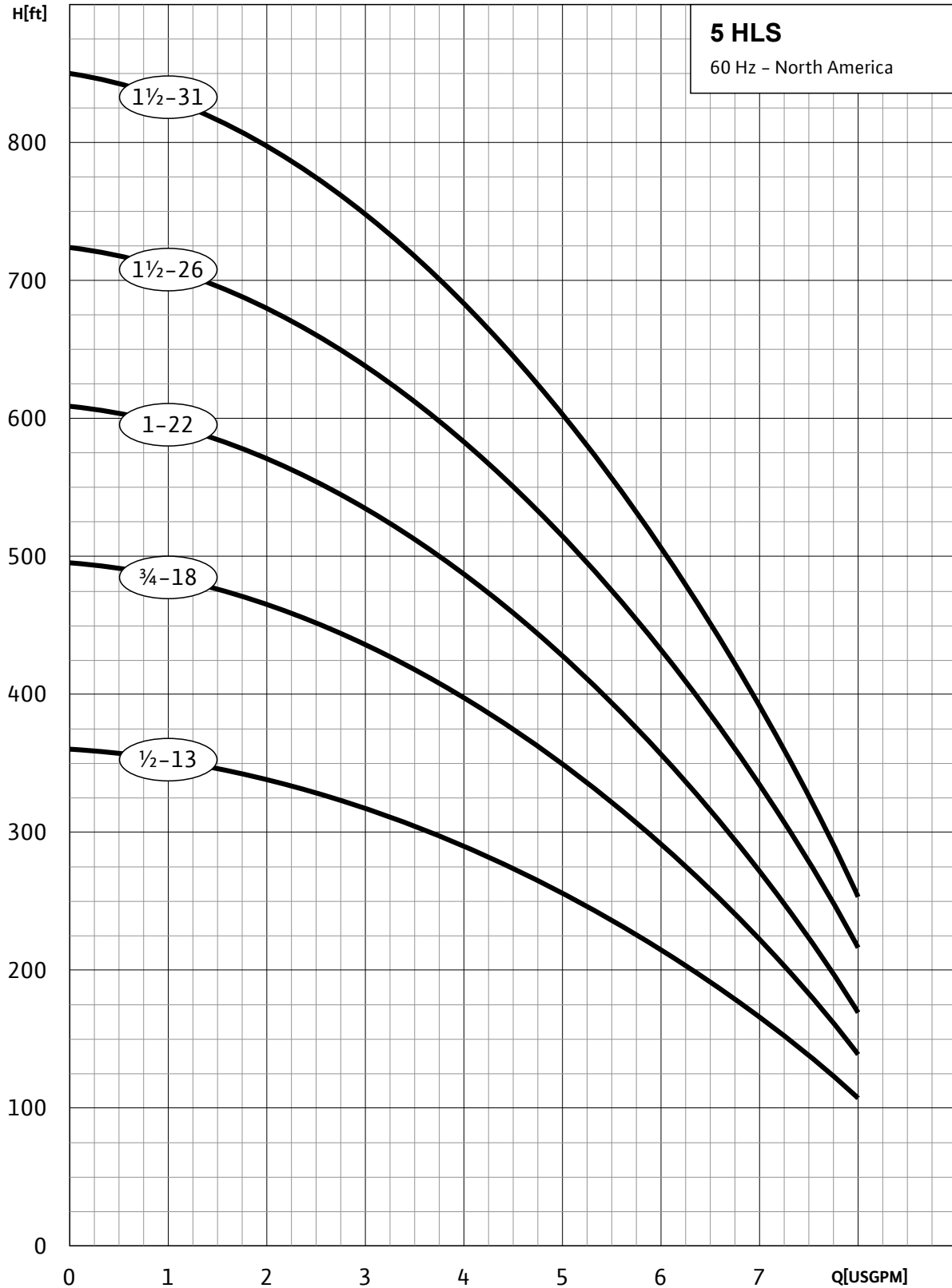


Pos.	Components	Material	Standard
01	Discharge	Stainless Steel	304
12	Diffuser	Stainless Steel	304
18	Impeller	Stainless Steel	304
21	Split Cone	Stainless Steel	304
22	Split Cone Nut	Stainless Steel	304
24	Stop Ring	Carbon/ Graphite/PTFE	
32	Neck Ring Retainer	Stainless Steel	304
24	Strainer	Stainless Steel	304
26	Suction Interconnector	Stainless Steel	304
40	Pump Shaft	Stainless Steel	304
37	Coupling	Stainless Steel	304
47	Strap	Stainless Steel	304
52	Cable Guard	Stainless Steel	304
87	Neck Ring	Stainless Steel	304
88	Nut	Stainless Steel	304
89	Bearing	NBR	

Hi/Lo "S" Series – 5 HLS

Stainless Steel Submersible Well Pumps

5 GPM

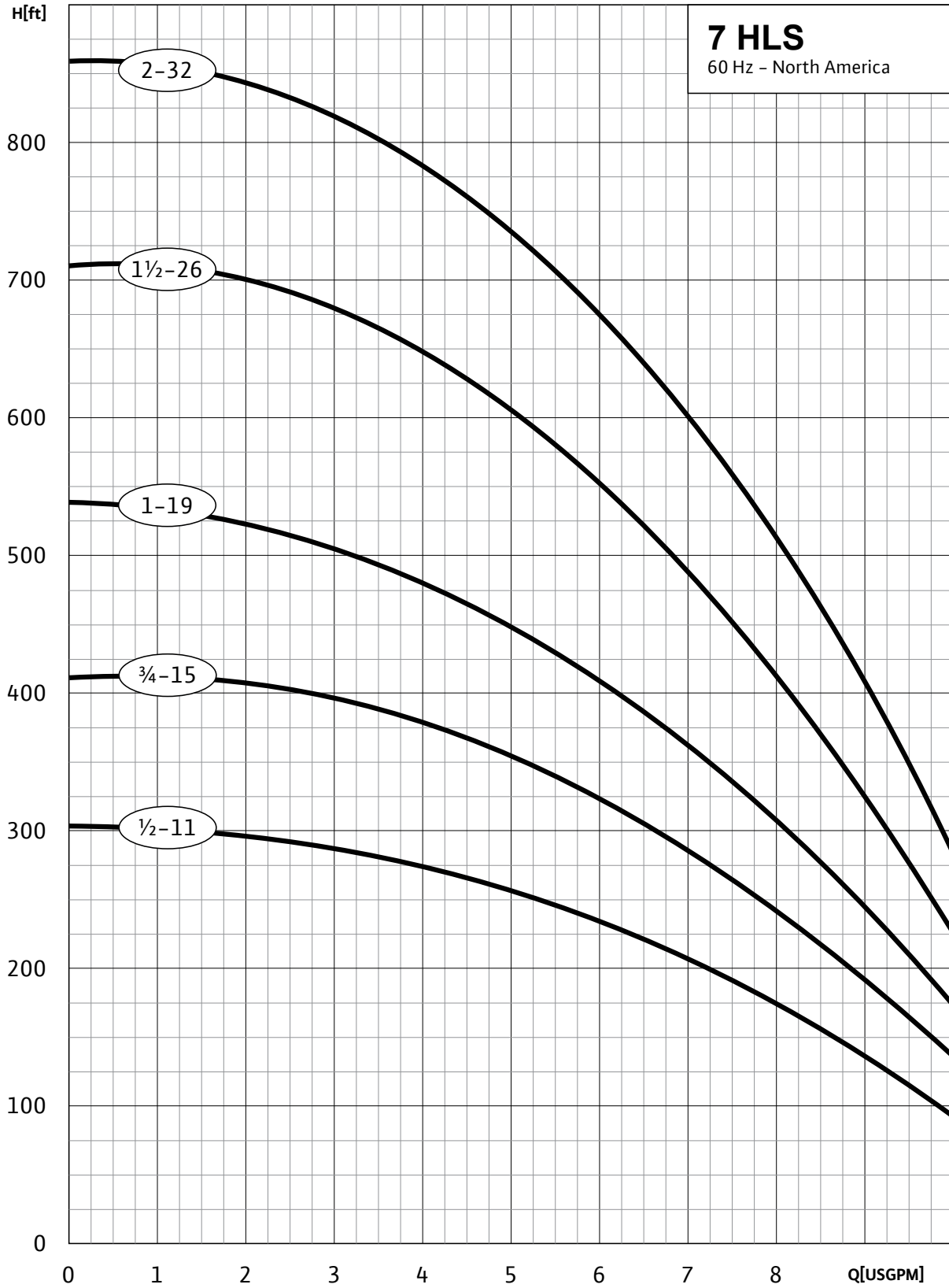


MODEL	HP	PSI	Depth to Water in Feet																																							
			20	40	60	80	100	120	140	160	180	200	220	240	260	280	300	340	380	420	460	500	540	580	620	660	700	740	780													
5HL05S	½	0									7.4	6.9	6.5	6.0	5.5	5.1	4.6	4.1	3.4																							
		20						7.2	6.8	6.3	5.8	5.4	4.9	4.5	3.9	3.2	2.2																									
		30					7.2	6.7	6.2	5.8	5.3	4.9	4.4	3.8	3.1	2.0																										
		40		7.5	7.1	6.6	6.2	5.7	5.2	4.8	4.3	3.7	2.9	1.8																												
		50	7.5	7.0	6.6	6.1	5.6	5.2	4.7	4.2	3.6	2.8	1.5																													
		60	7.0	6.5	6.0	5.6	5.1	4.6	4.1	3.5	2.6																															
Shut-off PSI			144	135	126	118	109	101	92	83	75	66	57	49	40	31	23																									
5HL07S	¾	0											7.9	7.6	7.3	7.0	6.6	6.3	5.9	5.6	4.9	4.2	3.3	1.8																		
		20							7.8	7.5	6.8	6.5	6.2	5.8	5.5	5.2	4.8	4.1	3.1	1.4																						
		30							7.8	7.5	7.1	6.8	6.5	6.1	5.8	5.4	5.1	4.8	4.4	3.6	2.3																					
		40					7.7	7.4	7.1	6.7	6.4	6.1	5.7	5.4	5.1	4.7	4.4	4.0	2.9	1.1																						
		50			7.7	7.4	7.0	6.7	6.3	6.0	5.7	5.3	5.0	4.7	4.3	3.9	3.4	2.0																								
		60		7.6	7.3	7.0	6.6	6.3	6.0	5.6	5.3	5.0	4.6	4.3	3.9	3.4	2.7																									
Shut-off PSI			202	193	185	176	167	159	150	141	133	124	116	107	98	90	81	64	46	29	12																					
5HL10S	1	0												7.6	7.3	7.1	6.8	6.5	6.0	5.4	4.9	4.3	3.6	2.6																		
		20												7.5	7.3	7.0	6.7	6.4	6.2	5.9	5.3	4.8	4.2	3.5	2.4																	
		30												7.5	7.2	6.9	6.7	6.4	6.1	5.8	5.6	5.0	4.5	3.8	2.9	1.5																
		40								7.4	7.2	6.9	6.6	6.3	6.1	5.8	5.5	5.2	4.7	4.1	3.3	2.2																				
		50							7.4	7.1	6.9	6.6	6.3	6.0	5.7	5.5	5.2	4.9	4.4	3.7	2.7	1.2																				
		60						7.4	7.1	6.8	6.5	6.3	6.0	5.7	5.4	5.2	4.9	4.0	3.2	1.9																						
Shut-off PSI							215	206	197	189	180	171	163	154	145	137	128	111	94	76	59	42	24																			
5HL15SL	1½	0													7.8	7.6	7.4	7.2	6.7	6.2	5.7	5.3	4.8	4.4	3.8	3.0	1.9															
		20													7.5	7.3	7.1	6.9	6.6	6.1	5.7	5.2	4.8	4.3	3.7	2.9	1.7															
		30													7.5	7.3	7.1	6.8	6.6	6.3	5.9	5.4	5.0	4.5	4.0	3.3	2.3															
		40												7.5	7.2	7.0	6.8	6.5	6.3	6.1	5.6	5.2	4.7	4.2	3.6	2.7	1.5															
		50									7.4	7.2	7.0	6.7	6.5	6.3	6.0	5.8	5.3	4.9	4.4	3.9	3.1	2.1																		
		60									7.4	7.2	6.9	6.7	6.5	6.2	6.0	5.8	5.5	5.1	4.6	4.1	3.5	2.6																		
Shut-off PSI									244	235	226	218	209	201	192	183	175	157	140	123	105	88	71	53	36	19																
5HL15SH	1½	0																		7.7	7.3	6.9	6.5	6.2	5.8	5.4	5.0	4.6	4.2	3.7	3.0	2.1										
		20																			7.4	7.3	6.9	6.5	6.1	5.7	5.3	4.9	4.5	4.1	3.6	2.9	1.9									
		30																			7.4	7.2	7.0	6.7	6.3	5.9	5.5	5.1	4.7	4.3	3.8	3.2	1.4	1.2								
		40																			7.4	7.2	7.0	6.8	6.4	6.0	5.6	5.3	4.9	4.5	4.0	3.5	2.8	1.8								
		50																			7.5	7.4	7.2	7.0	6.8	6.6	6.2	5.8	5.4	5.0	4.7	4.2	3.7	3.1	2.2							
		60																			7.5	7.3	7.1	7.0	6.8	6.6	6.4	6.0	5.6	5.2	4.8	4.4	4.0	3.4	2.6	1.6						
Shut-off PSI																				285	276	268	259	250	242	233	216	198	181	164	146	129	112	95	77	60	43	25				

Hi/Lo "S" Series – 7 HLS

Stainless Steel Submersible Well Pumps

7 GPM

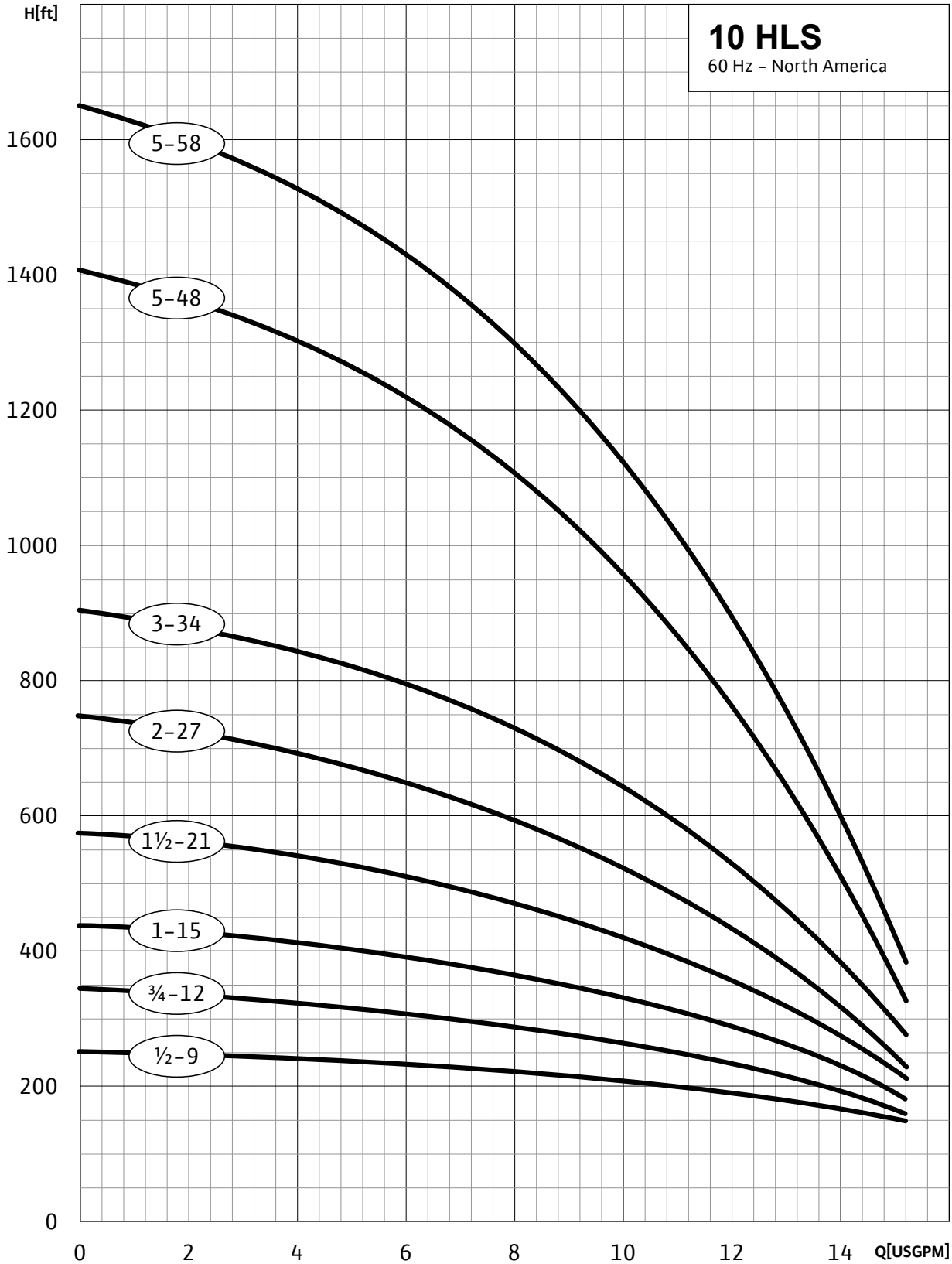


MODEL	HP	PSI	Depth to Water in Feet																						
			20	40	60	80	100	120	140	160	180	200	220	240	260	280	300	340	400	460	520	600	700		
7HL05S	½	0					9.9	9.5	8.9	8.4	7.8	7.3	6.7	6.0	5.0	4.0									
		20			9.8	9.3	8.8	8.2	7.7	7.1	6.5	5.8	4.7	3.5	1.8										
		30	10.1	9.7	9.2	8.7	8.1	7.6	7.0	6.4	5.6	4.7	2.9												
		40	9.6	9.2	8.6	8.1	7.5	6.9	6.2	5.6	4.3	3.0	1.5												
		50	9.1	8.5	8.0	7.4	6.8	6.2	5.3	4.3	2.2														
		60	8.4	7.9	7.3	6.8	6.0	5.3	3.8	2.3															
Shut-off PSI			122	113	105	96	87	79	70	61	53	44	35	27	18	10									
7HL07S	¾	0						10.2	9.9	9.5	9.2	8.8	8.4	8.0	7.6	7.1	6.7	5.6	2.9						
		20				10.1	9.8	9.4	9.0	8.6	8.2	7.8	7.4	7.0	6.5	6.1	5.4	3.6							
		30			10.0	9.7	9.4	9.0	8.6	8.2	7.8	7.4	6.9	6.5	5.9	5.4	4.5	1.8							
		40		10.0	9.7	9.3	8.9	8.5	8.1	7.7	7.3	6.9	6.4	5.9	5.2	4.5	3.2	1.0							
		50	9.9	9.6	9.2	8.9	8.5	8.1	7.6	7.2	6.8	6.4	5.8	5.2	4.2	3.2	1.6								
		60	9.5	9.2	8.8	8.4	8.0	7.6	7.2	6.7	6.2	5.7	4.9	4.2	2.8	1.4									
Shut-off PSI			170	101	153	144	135	127	118	110	101	92	84	75	66	58	49	32	6						
7HL10S	1	0								10.1	9.8	9.6	9.3	9.0	8.7	8.4	8.0	7.4	6.4	4.8					
		20						10.0	9.8	9.5	9.2	8.9	8.6	8.3	7.9	7.6	7.3	6.6	5.3	2.8					
		30					10.0	9.7	9.5	9.2	8.9	8.5	8.2	7.9	7.6	7.3	6.9	6.2	4.6	1.4					
		40				10.0	9.7	9.4	9.1	8.8	8.5	8.2	7.8	7.5	7.2	6.9	6.5	5.6	3.7						
		50		10.2	9.9	9.7	9.4	9.1	8.8	8.4	8.1	7.8	7.5	7.2	6.8	6.5	6.0	5.0	2.4						
		60	10.1	9.9	9.6	9.3	9.0	8.7	8.4	8.1	7.8	7.4	7.1	6.8	6.4	6.0	5.5	4.2							
Shut-off PSI			218	209	200	192	183	174	166	157	148	140	131	123	114	105	97	79	53	27					
7HL15S	1½	0											10.1	9.9	9.7	9.5	9.3	8.8	8.1	7.4	6.7	5.5			
		20										10.0	9.8	9.6	9.4	9.2	9.0	8.8	8.3	7.6	6.9	6.1	4.4		
		30									10.0	9.8	9.6	9.4	9.2	9.0	8.7	8.5	8.0	7.3	6.6	5.7	3.7		
		40						10.1	10.0	9.8	9.6	9.4	9.1	8.9	8.7	8.5	8.2	7.8	7.1	6.3	5.2	2.9			
		50					10.1	9.9	9.7	9.6	9.3	9.1	8.9	8.7	8.4	8.2	8.0	7.5	6.8	5.9	4.7	1.9			
		60				10.1	9.9	9.7	9.5	9.3	9.1	8.9	8.6	8.4	8.2	7.9	7.7	7.2	6.5	5.5	4.1				
Shut-off PSI						274	265	257	248	239	231	222	213	205	196	187	179	161	135	110	84	49			
7HL20S	2	0											10.6	10.5	10.4	10.4	10.3	10.1	9.6	9.1	8.4	7.3	5.7		
		20										10.5	10.5	10.4	10.3	10.2	10.1	10.0	9.8	9.2	8.6	7.8	6.6	4.8	
		30										10.5	10.5	10.4	10.3	10.2	10.1	10.0	9.9	9.6	9.0	8.3	7.5	6.2	4.3
		40									10.5	10.5	10.4	10.3	10.2	10.1	10.0	9.9	9.7	9.4	8.8	8.0	7.2	5.8	3.9
		50								10.5	10.4	10.3	10.2	10.1	10.0	9.8	9.7	9.5	9.1	8.5	7.7	6.8	5.4	3.3	
		60						10.5	10.4	10.3	10.2	10.1	10.0	9.8	9.7	9.5	9.3	8.9	8.2	7.4	6.4	5.0			
Shut-off PSI						343	334	326	317	308	300	291	282	274	265	256	239	213	187	161	126	83			

Hi/Lo "S" Series – 10 HLS

Stainless Steel Submersible Well Pumps

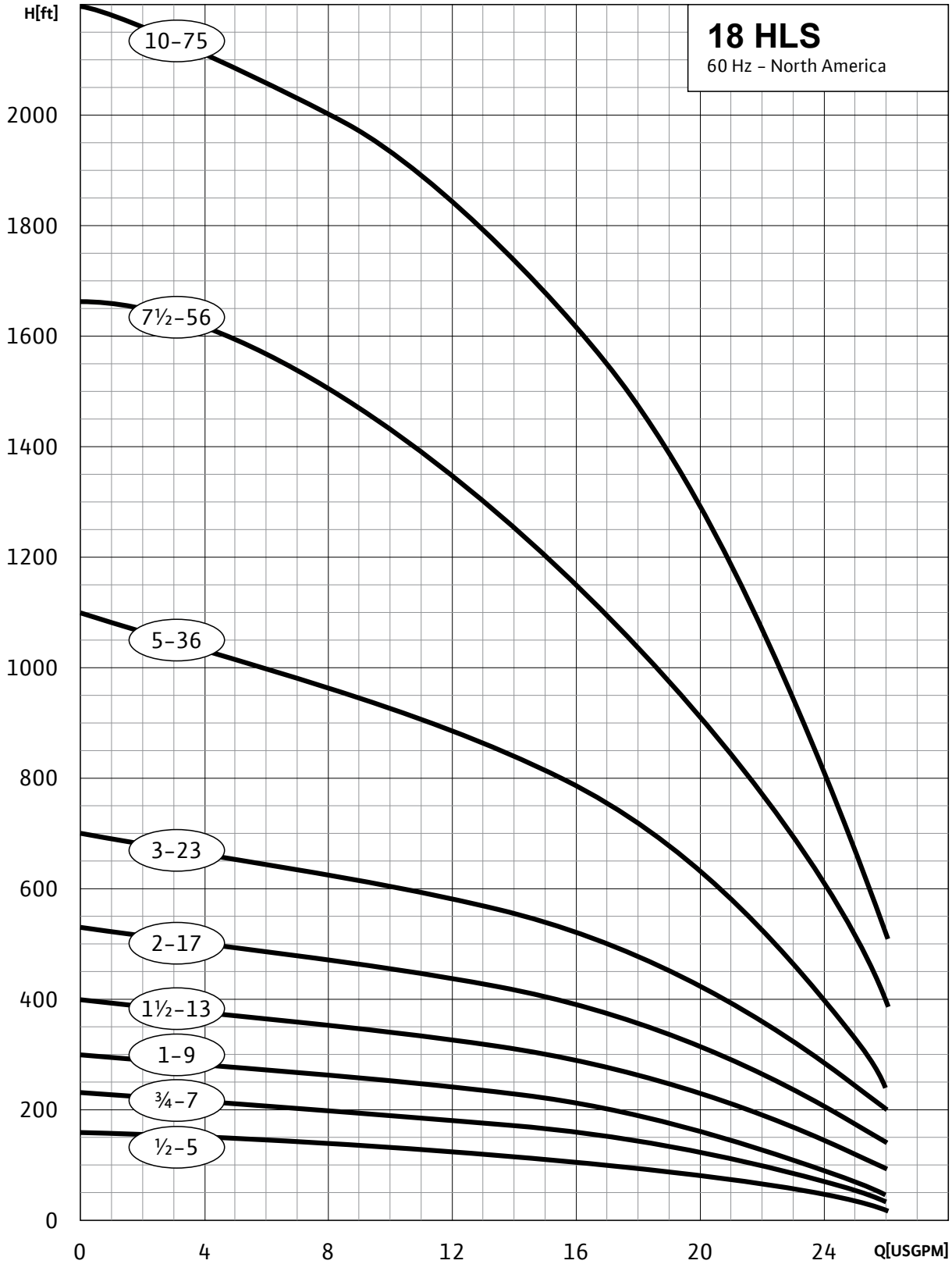
10 GPM



Hi/Lo "S" Series – 18 HLS

Stainless Steel Submersible Well Pumps

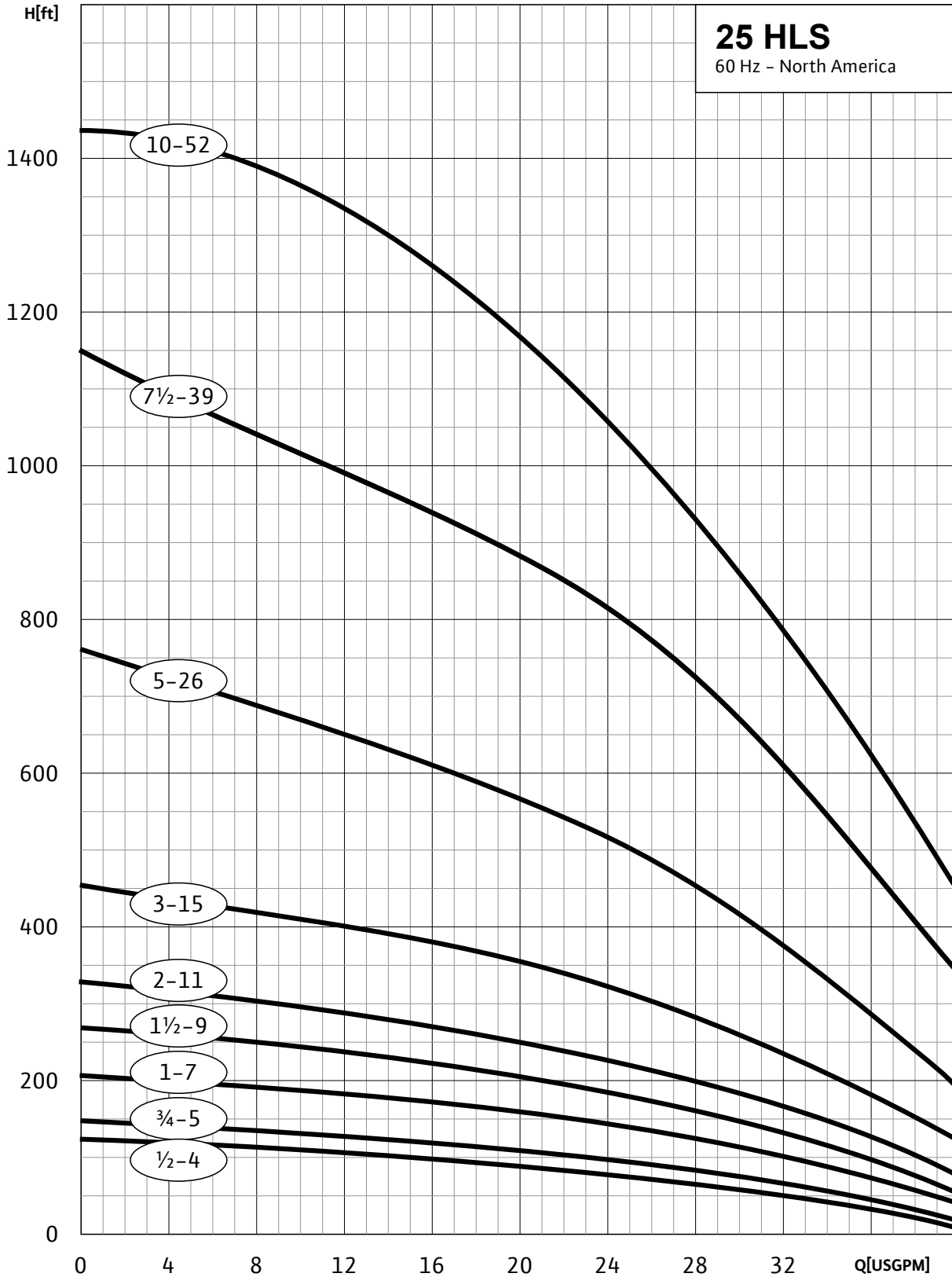
18 GPM



Hi/Lo "S" Series – 25 HLS

Stainless Steel Submersible Well Pumps

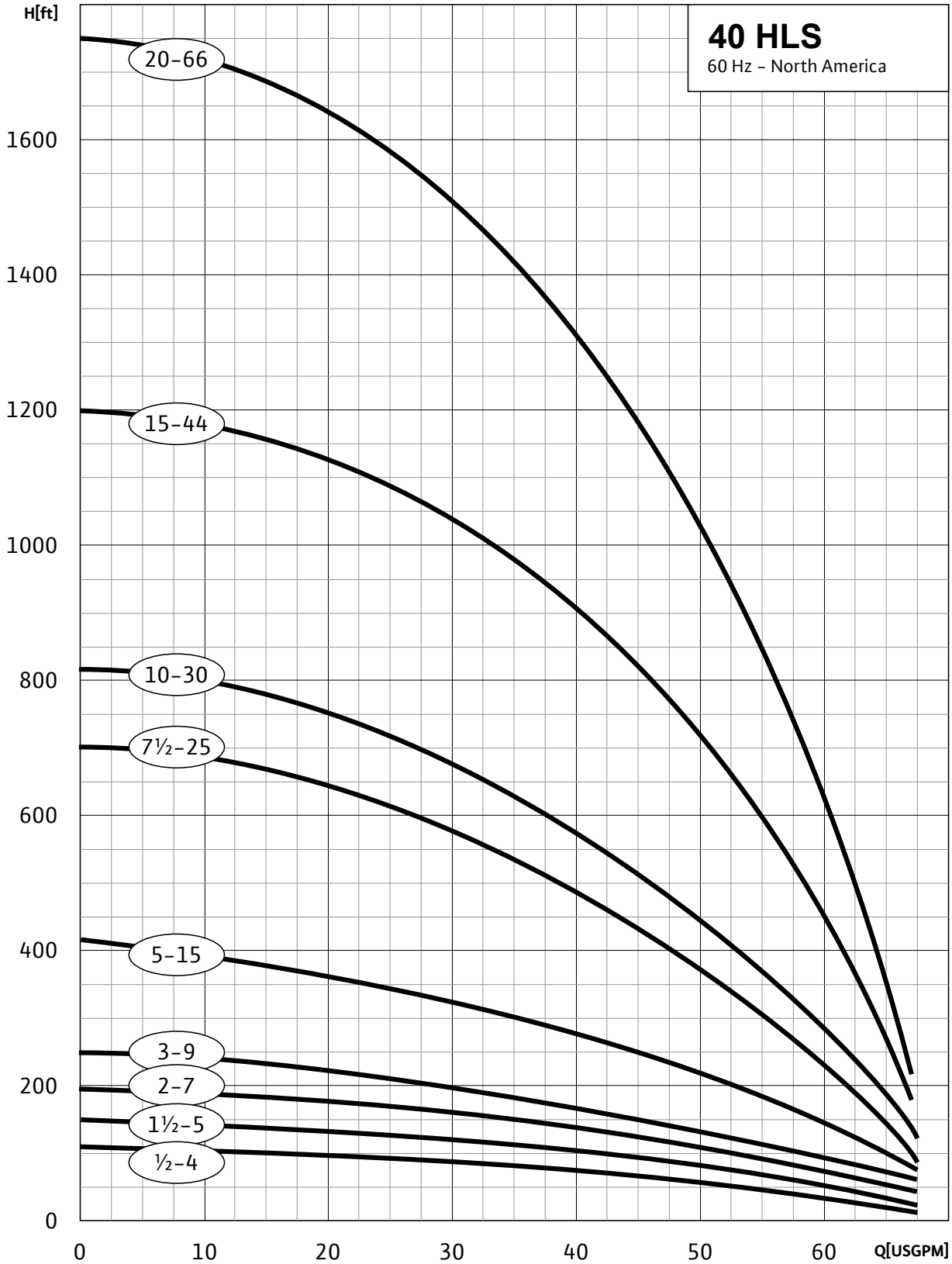
25 GPM



Hi/Lo "S" Series – 40 HLS

Stainless Steel Submersible Well Pumps

40 GPM

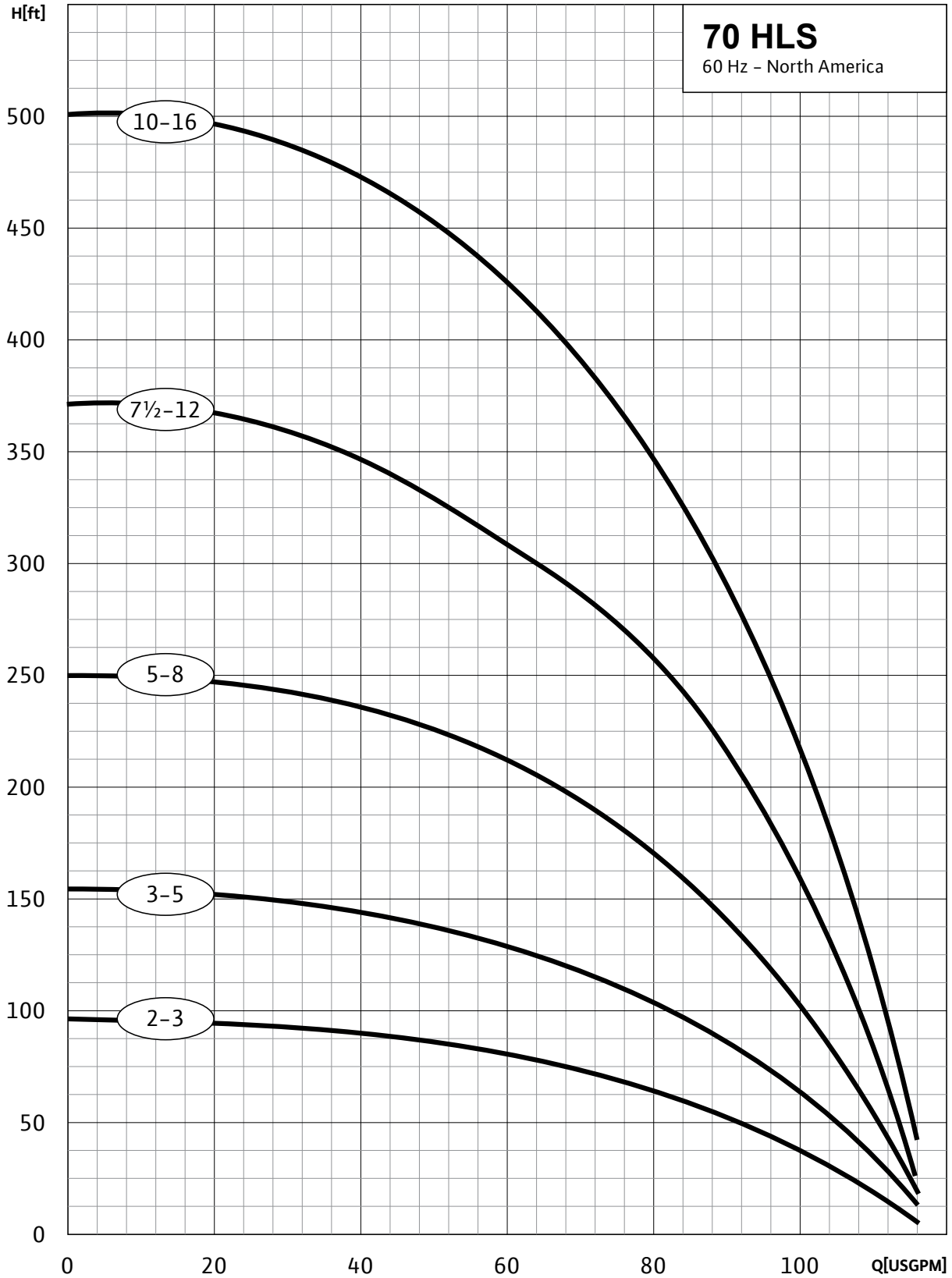


MODEL	HP	PSI	Depth to Water in Feet																													
			20	40	60	80	100	120	140	160	180	200	220	240	260	280	300	340	380	420	460	500	540	580	620	660	700	740	780	800		
40HL10S	1	0		63.5	55.7	43.2																										
		20	53.0	36.5																												
		30	32.7																													
		40																														
		50																														
		60																														
Shut-off PSI			40	32	23	14																										
40HL15S	1½	0			60.1	54.0	43.2	23.4																								
		20	58.2	51.5	38.0																											
		30	50.0	35.0																												
		40	31.9																													
		50																														
		60																														
Shut-off PSI			52	44	35	27	18	9																								
40HL20S	2	0				61.0	56.7	51.7	43.2	29.9																						
		20	64.5	59.6	55.4	49.6	39.6	24.9																								
		30	58.9	54.7	48.3	37.6	22.3																									
		40	53.9	47.0	35.5																											
		50	45.5	33.2																												
		60	30.9																													
Shut-off PSI			77	68	60	51	42	34	25	16																						
40HL30S	3	0				65.6	61.5	58.1	54.8	50.2	43.2	33.2	20.8																			
		20		64.3	60.4	57.1	53.6	48.4	40.4	29.6																						
		30	63.6	59.8	56.6	52.9	47.3	38.9	27.7																							
		40	59.3	56.1	52.2	46.2	37.4	25.7																								
		50	55.6	51.4	45.0	35.7	23.7																									
		60	50.6	43.8	34.0	21.7																										
Shut-off PSI			101	93	84	75	67	58	49	41	32	23	15																			
40HL50SH	5	0							64.4	62.1	60.1	58.3	56.3	54.0	51.0	47.1	42.2	29.4														
		20					63.6	61.5	59.5	57.7	55.7	53.2	49.9	45.7	40.5	34.2	27.1															
		30					63.3	61.2	59.3	57.4	55.3	52.7	49.3	45.0	39.6	33.2	26.9															
		40			62.9	60.9	59.0	57.1	54.9	52.2	48.7	44.2	38.6	32.1	24.7																	
		50	64.9	62.6	60.6	58.7	56.8	54.6	51.8	48.1	43.4	37.7	31.0	23.5																		
		60	62.3	60.3	58.4	56.5	54.2	51.3	47.4	42.6	36.7	29.9	22.4																			
Shut-off PSI			173	164	156	147	138	130	121	112	104	95	86	78	69	60	52	34														
40HL75S	7½	0											65.3	63.9	62.5	61.3	60.1	57.9	55.5	52.3	48.0	42.2	34.9	26.4								
		20											64.9	63.5	62.2	60.9	59.8	58.7	57.5	55.0	51.7	47.2	41.2	33.7	25.0							
		30											64.7	63.3	62.0	60.7	59.6	58.5	57.4	56.2	53.2	49.3	43.9	37.0	28.8							
		40							64.4	63.1	61.8	60.6	59.4	58.3	57.2	56.0	54.6	51.1	46.4	40.1	32.4	23.6										
		50					65.6	64.2	62.8	61.6	61.8	59.3	58.2	57.0	55.8	54.3	52.7	48.5	42.9	35.8	27.4											
		60				65.4	64.0	62.6	61.4	60.2	59.1	58.0	56.8	55.6	54.1	52.4	50.5	45.5	39.0	31.1	22.1											
Shut-off PSI						288	259	251	242	233	225	216	207	199	190	181	173	155	138	121	103	86	69	51								
40HL100S	10	0																		53.0	50.0	45.0	43.0	36.0	32.0	27.0						
		20																		50.0	48.0	41.0	35.0	30.0	24.0	20.0						
		30																		50.0	48.0	46.0	38.0	32.0	27.0	21.0	16.0					
		40																		48.0	46.0	42.0	36.0	32.0	26.0	21.0	12.0					
		50																		47.0	45.0	43.0	39.0	33.0	27.0	20.0	16.0	8.0				
		60																		52.0	48.0	44.0	41.0	38.0	32.0							
Shut-off PSI																			222	210	182	170	155	130	112	98	78	66				

Hi/Lo "S" Series – 70 HLS

Stainless Steel Submersible Well Pumps

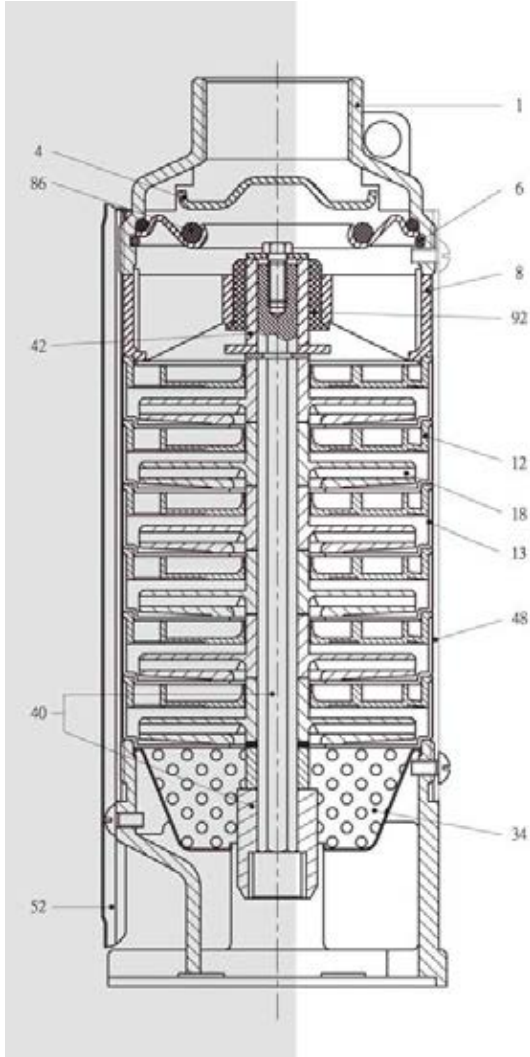
70 GPM



MODEL	HP	PSI	Depth to Water in Feet																			
			20	40	60	80	100	120	140	160	180	200	220	240	260	280	300	340	380	420		
70HL20S	2	0		89.1	68.9	38.8																
		20	60.8																			
		30																				
		40																				
		50																				
		60																				
Shut-off PSI			31	23	14	5																
70HL30S	3	0			91.1	78.8	68.9	51.0														
		20	89.4	75.5	64.4	44.9																
		30	74.1	61.8	41.1																	
		40	58.8	39.6																		
		50	37.1																			
		60																				
Shut-off PSI			58	49	40	32	23	14														
70HL50S	5	0					88.9	84.8	78.5	69.4	59.4	49.7										
		20			87.8	83.2	75.9	66.3	65.4	46.3												
		30	91.0	87.2	82.3	74.6	64.7	54.9	44.4													
		40	86.5	81.3	73.1	63.2	53.4	52.2														
		50	80.2	71.6	61.6	51.9	39.8															
		60	70.1	60.1	50.4																	
Shut-off PSI			94	86	77	68	60	51	42	34	25	16										
70HL75S	7½	0						90.2	87.7	84.8	81.0	75.7	69.4	62.7	56.1	49.7						
		20				89.4	86.9	83.8	79.5	73.9	67.4	60.6	54.2	47.5								
		30			89.0	86.4	83.2	78.7	72.9	66.3	59.6	53.2	46.3									
		40		88.6	86.0	82.6	77.9	71.9	65.3	58.6	52.2	45.0	33.0	11.3								
		50	88.2	85.5	81.9	77.0	70.9	64.2	57.6	51.2	43.7											
		60	87.8	85.1	82.3	76.1	69.9	63.2	56.6	50.2	42.2											
Shut-off PSI			146	137	128	120	111	102	94	85	76	68	59	50	42	33	24					
70HL100S	10	0						88.5	86.4	85.2	84.3	83.2	81.3	78.4	74.5	64.5	54.2	43.8				
		20				90.7	87.7	85.9	84.0	82.7	80.5	77.3	73.1	68.2	62.9	52.7	41.7					
		30			90.7	87.4	85.7	84.7	83.8	82.4	80.1	76.7	72.4	67.4	62.1	56.9	47.0					
		40		89.6	87.1	85.6	84.6	83.6	82.1	79.7	76.1	71.6	66.5	61.2	56.1	51.2						
		50	89.2	86.8	85.4	83.5	81.8	79.2	75.5	70.9	65.7	60.4	55.4	50.5	45.2							
		60	88.7	86.5	85.2	84.3	83.3	81.5	78.7	74.8	70.0	64.9	59.6	54.6	49.7	44.3						
Shut-off PSI			197	188	180	171	162	154	145	136	128	119	110	102	93	84	76	59	41	24		

General Material Data

Hi/Lo "N" Series

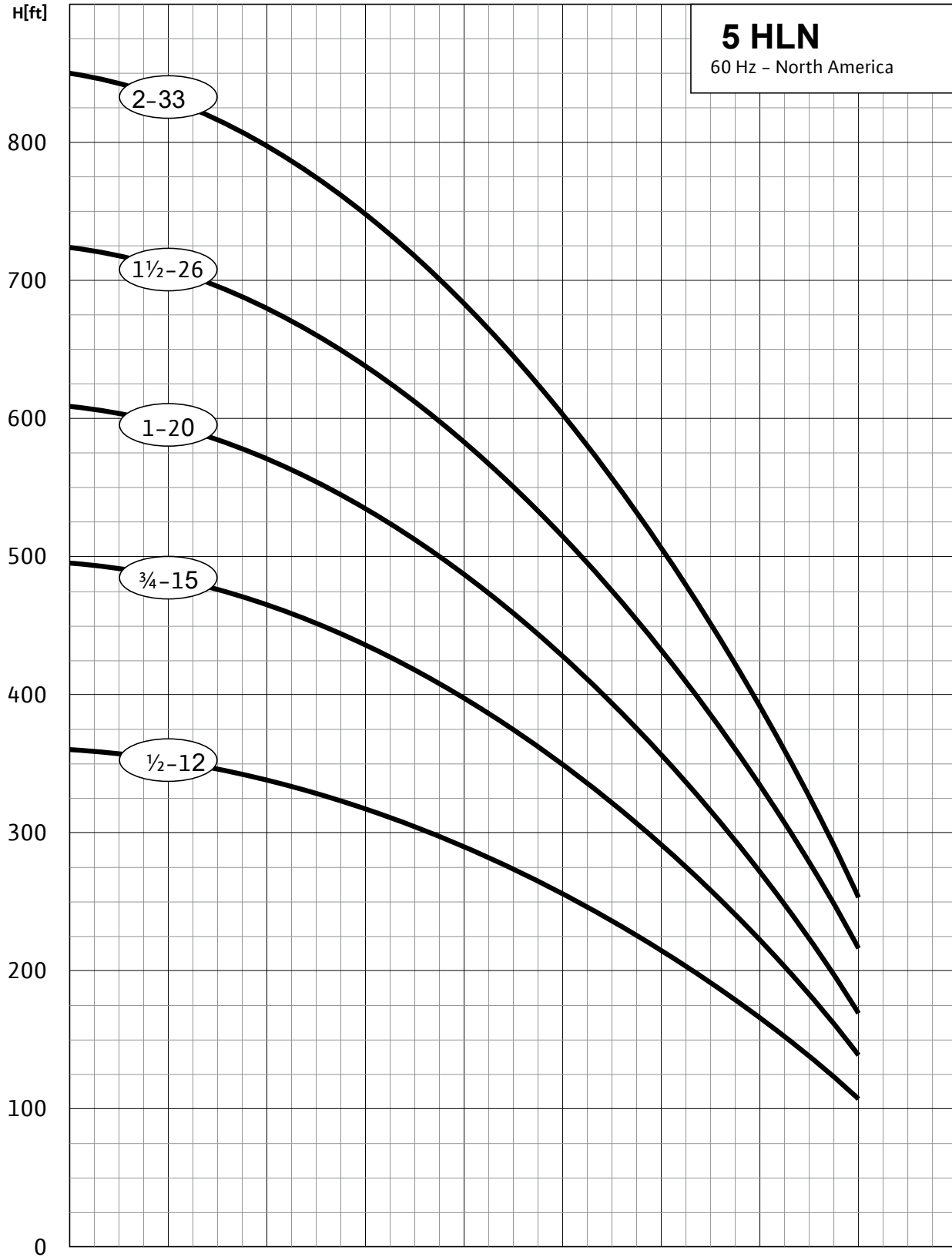


Pos.	Components	Material	Standard
01	Discharge Head	Stainless Steel	304
04	Check Valve Cone	Stainless Steel	304
06	Check Valve retaining Ring	Stainless Steel	304
08	Bearing Spider	Glass Filled Poly-carbonate	
12	Diffuser	Glass Filled Poly-carbonate	
13	Bowl	Stainless Steel	304
18	Impeller	Noryl	
34	Strainer	Stainless Steel	304
40	Pump Shaft / Coupling	Stainless Steel	304
42	Shaft Sleeve	Stainless Steel or Noryl	304
48	Pump Casing	Stainless Steel	304
52	Cable Guard	Stainless Steel	304
86	O-Ring	NBR	
92	Bearing	Polyacetal	

Hi/Lo "N" Series – 5 HLN

Submersible Well Pumps with Noryl Impeller

5 GPM

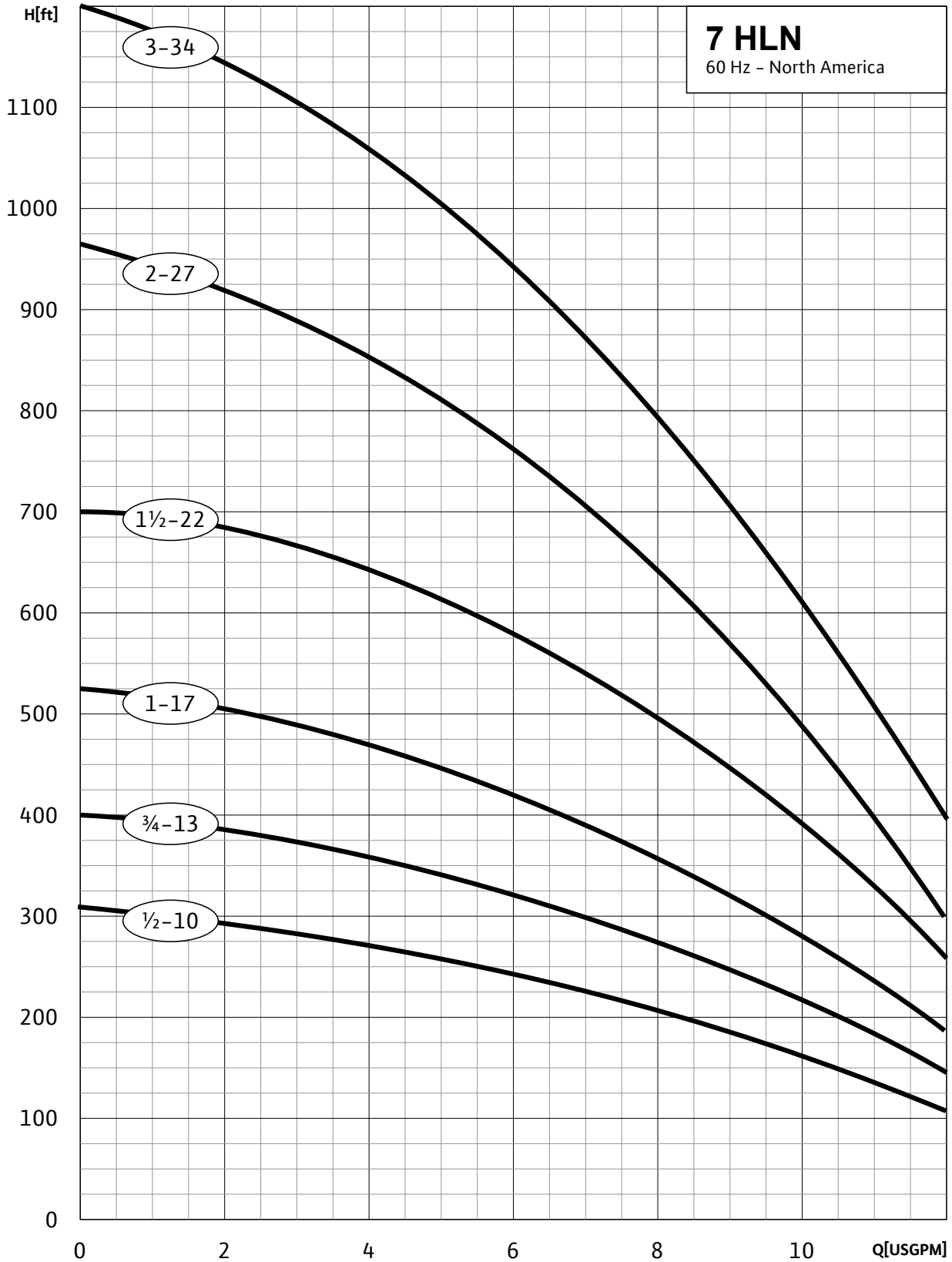


MODEL	HP	PSI	Depth to Water in Feet																																					
			20	40	60	80	100	120	140	160	180	200	220	240	260	280	300	340	380	420	460	500	540	580	620	660	700	740	780	820	860	900	940	980	1020					
5HL05N	½	0								7.7	7.3	6.9	6.4	6.0	5.6	5.1	4.7	4.1	2.6																					
		20						7.5	7.1	6.7	6.3	5.9	5.4	5.0	4.5	3.9	3.2	2.3																						
		30					7.5	7.1	6.7	6.2	5.8	5.4	4.9	4.4	3.8	3.1	2.1																							
		40			7.4	7.0	6.6	6.2	5.7	5.3	4.9	4.3	3.7	2.9	1.9																									
		50	7.7	7.4	6.9	6.5	6.1	5.7	5.2	4.8	4.2	3.6	2.8	1.8																										
60	7.3	6.9	6.5	6.0	5.6	5.2	4.7	4.2	3.5	2.6	1.6																													
Shut-off PSI			156	147	138	130	121	112	104	95	86	78	69	60	52	43	34	17																						
5HL07N	¾	0													7.6	7.3	7.0	6.6	6.3	5.9	5.2	4.4	3.3	1.6																
		20									7.5	7.2	6.9	6.5	6.2	5.8	5.5	5.1	4.2	3.1	1.3																			
		30									7.5	7.2	6.8	6.5	6.1	5.8	5.4	5.0	4.6	3.6	2.1																			
		40						7.4	7.1	6.8	6.4	6.1	5.7	5.4	5.0	4.6	4.1	2.8																						
		50				7.4	7.1	6.7	6.4	6.0	5.7	5.3	4.9	4.5	4.0	3.4	1.8																							
60			7.6	7.3	7.0	6.7	6.3	6.0	5.6	5.3	4.9	4.4	3.9	3.3	2.6																									
Shut-off PSI					184	175	167	158	149	141	132	123	115	106	97	89	80	63	45	28	11																			
5HL10N	1	0																			7.5	7.0	6.5	5.9	5.3	4.6	3.8	2.8	1.6											
		20														7.6	7.4	7.2	7.0	6.4	5.9	5.2	4.5	3.7	2.6															
		30														7.6	7.4	7.2	6.9	6.7	6.1	5.5	4.8	4.0	3.1	1.9														
		40														7.6	7.4	7.1	6.9	6.6	6.3	5.8	5.1	4.4	3.5	2.5														
		50														7.5	7.3	7.1	6.8	6.6	6.3	6.0	5.4	4.7	3.9	2.9	1.7													
60														7.5	7.3	7.1	6.8	6.5	6.3	6.0	5.7	5.0	4.3	3.4	2.3															
Shut-off PSI											214	206	197	188	180	171	162	154	136	119	102	84	67	50	32	15														
5HL15N	1½	0																			7.5	7.2	6.8	6.3	5.9	5.5	5.1	4.6	4.1	3.5	2.8	1.8								
		20																			7.6	7.5	7.1	6.7	6.3	5.8	5.4	5.0	4.5	4.0	3.4	2.6	1.6							
		30																			7.6	7.5	7.3	6.9	6.5	6.0	5.6	5.2	4.7	4.2	3.7	3.0	2.1							
		40																			7.6	7.4	7.3	7.1	6.6	6.2	5.8	5.3	4.9	4.5	3.9	3.3	2.5	1.4						
		50																			7.6	7.4	7.2	7.0	6.8	6.4	6.0	5.5	5.1	4.7	4.2	3.6	2.9	1.9						
60																			7.6	7.4	7.2	7.0	6.8	6.6	6.1	5.7	5.3	4.8	4.4	3.8	3.2	2.4								
Shut-off PSI															274	265	257	248	239	231	213	196	179	162	144	127	110	92	75	58	40	23								
5HL20N	2	0																				7.4	7.1	6.8	6.4	6.1	5.7	5.4	5.0	4.7	4.3	3.9	3.3	2.7						
		20																					7.4	7.1	6.7	6.4	6.0	5.7	5.3	5.0	4.6	4.2	3.8	3.3	2.6	1.9				
		30																					7.5	7.2	6.9	6.5	6.2	5.8	5.5	5.1	4.8	4.4	4.0	3.5	2.9	2.2				
		40																					7.3	7.0	6.7	6.3	6.0	5.6	5.3	4.9	4.6	4.2	3.7	3.2	2.5	1.7				
		50																					7.5	7.2	6.8	6.5	6.1	5.8	5.4	5.1	4.7	4.3	3.9	3.4	2.8	2.1				
60																					7.6	7.3	7.0	6.6	6.3	5.9	5.6	5.2	4.9	4.5	4.1	3.6	3.1	2.4	1.6					
Shut-off PSI																						328	311	293	276	259	242	224	207	190	172	155	138	120	103	86	68	51		

Hi/Lo "N" Series – 7 HLN

Submersible Well Pumps with Noryl Impeller

7 GPM



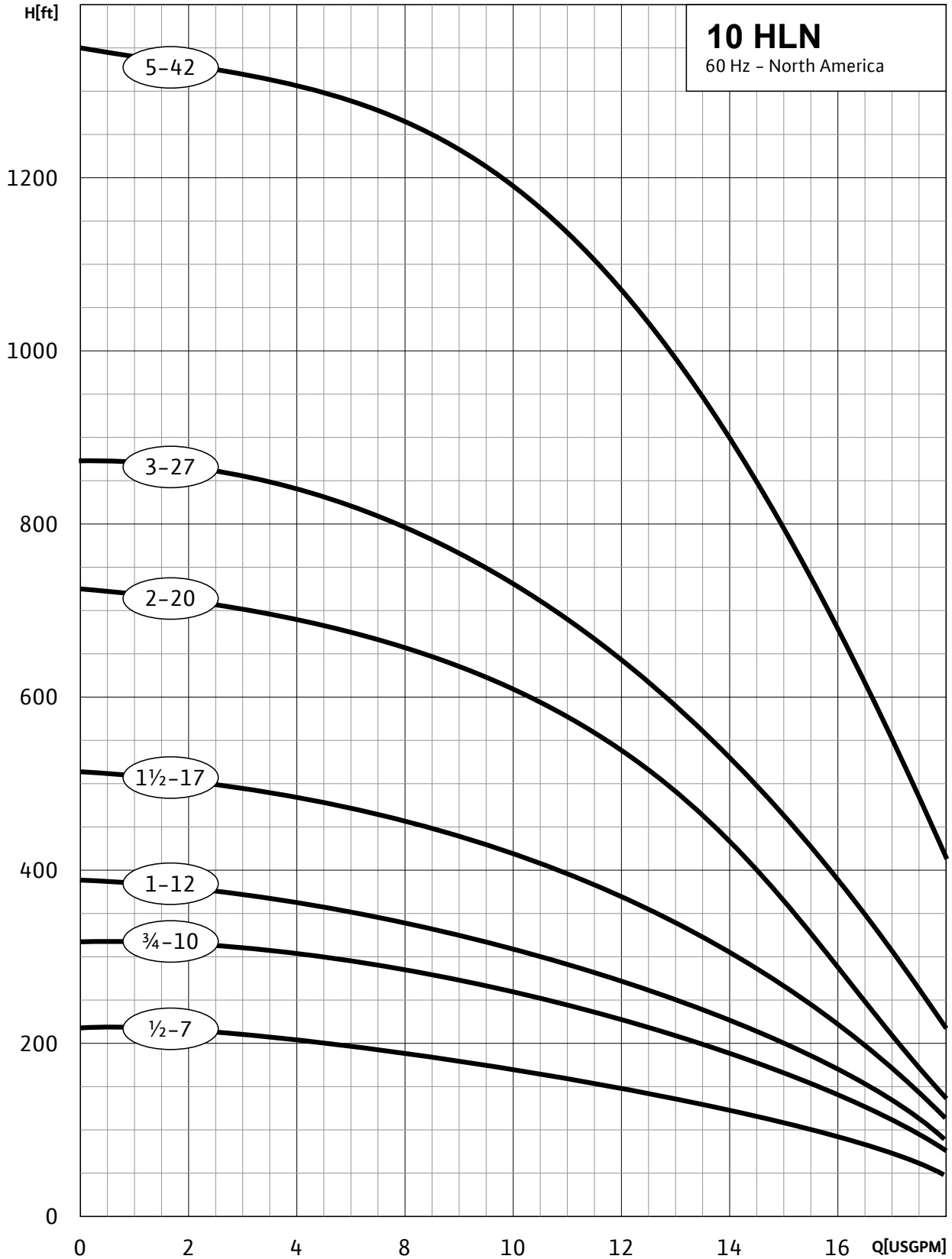
MODEL	HP	PSI	Depth to Water in Feet																												
			20	40	60	80	100	120	140	160	180	200	220	240	260	280	300	320	340	360	380	400	420	440	460	480	500	540	580	620	
7HL05N	½	0									10.1	9.2	8.3	7.4	6.3	5.0	3.4														
		20						9.8	9.0	8.1	7.1	6.0	4.6	2.7																	
		30						9.7	8.8	7.9	6.9	5.8	4.3	2.4																	
		40			10.4	9.6	8.7	7.8	6.7	5.6	4.1	2.0																			
		50		10.3	9.4	8.5	7.6	6.6	5.4	3.8	1.7																				
		60	10.2	9.3	8.4	7.5	6.4	5.1	3.5																						
Shut-off PSI			125	116	107	99	90	81	73	64	55	47	38	29	21	12															
7HL07N	¾	0												10.0	9.3	8.6	7.9	7.1	6.2	5.2	4.0	2.4									
		20							10.4	9.8	9.1	8.4	7.7	6.9	6.0	4.9	3.5	1.8													
		30							10.3	9.7	9.0	8.3	7.5	6.7	5.8	4.7	3.3	1.5													
		40						10.2	9.5	8.9	8.2	7.4	6.6	5.6	4.5	3.1															
		50					10.1	9.4	8.8	8.1	7.3	6.5	5.5	4.3	2.8																
		60			10.0	9.3	8.7	7.9	7.2	6.3	5.3	4.1	2.5																		
Shut-off PSI					140	131	122	114	105	96	88	79	70	62	53	44	36	27	18	10											
7HL10N	1	0													10.1	9.6	9.0	8.5	7.9	7.3	6.7	6.0	5.3	4.4	3.4	2.1					
		20											10.4	9.9	9.4	8.9	8.3	7.7	7.1	6.5	5.8	5.0	4.1	3.0	1.6						
		30											10.3	9.9	9.3	8.8	8.2	7.6	7.0	6.4	5.7	4.9	4.0	2.8							
		40										10.3	9.8	9.2	8.7	8.1	7.5	6.9	6.3	5.6	4.8	3.8	2.6								
		50							10.2	9.7	9.2	8.6	8.0	7.4	6.8	6.2	5.4	4.6	3.7	2.4											
		60						10.1	9.6	9.1	8.5	7.9	7.3	6.7	6.0	5.3	4.5	3.5	2.2												
Shut-off PSI							166	158	149	140	132	123	114	106	97	88	80	71	62	54	45	36	28	19	10						

MODEL	HP	PSI	Depth to Water in Feet																												
			200	220	240	260	280	300	340	380	420	460	500	540	580	620	660	700	740	780	820	860	900	940	980	1020	1060	1100	1140		
7HL15N	1½	0									10.2	9.3	8.5	7.6	6.8	5.9	4.7	2.6													
		20								10.1	9.2	8.3	7.5	6.7	5.8	4.5	2.1														
		30							10.4	9.6	8.7	7.8	7.0	6.2	5.1	3.3															
		40					10.3	9.9	9.1	8.2	7.4	6.6	5.6	4.2	1.6																
		50				10.3	9.9	9.4	8.6	7.7	6.9	6.0	4.9	2.9																	
		60		10.2	9.8	9.4	8.9	8.1	7.2	6.4	5.4	3.9																			
Shut-off PSI					194	186	177	168	151	134	116	99	82	64	47	30	12														
7HL20N	2	0											9.8	9.3	8.7	8.4	7.8	7.1	6.3	5.4	4.5	3.5	2.2								
		20											9.8	9.3	8.7	8.4	7.7	6.9	6.2	5.3	4.3	3.2	2.8								
		30											9.9	9.5	9.0	8.5	7.9	7.2	6.4	5.7	4.4	3.7									
		40								10.0	9.7	9.2	8.7	8.3	7.5	6.7	6.0	5.2	4.1	3.0											
		50								9.9	9.4	8.9	8.5	7.8	7.2	6.3	5.5	4.7	3.5												
		60						10.0	9.6	9.1	8.7	8.2	7.4	6.6	5.8	5.0	4.0														
Shut-off PSI							268	251	234	216	199	182	165	147	130	113	95	80	61	43	26										
7HL30N	3	0													9.8	9.5	9.2	8.7	8.3	7.9	7.4	6.8	6.2	5.4	4.7	3.9	3.0	2.0			
		20													9.8	9.4	9.2	8.7	8.3	7.8	7.2	6.7	6.2	5.3	4.5	3.7	3.3	1.7			
		30													10.0	9.6	9.2	8.8	8.5	8.0	7.5	6.9	6.3	5.7	4.8	4.1	3.2	2.3			
		40													10.0	9.7	9.4	9.0	8.6	8.2	7.7	7.2	6.6	5.9	5.2	4.4	3.6	2.7	1.7		
		50													9.9	9.5	9.2	8.7	8.4	7.9	7.4	6.8	6.3	5.5	4.8	3.9	3.1	2.2			
		60													10.0	9.7	9.3	9.0	8.6	8.1	7.6	7.0	6.5	5.8	5.1	4.2	3.4	2.5	1.5		
Shut-off PSI													320	303	286	268	251	234	216	199	182	165	147	130	113	95	78	61	43	27	

Hi/Lo "N" Series – 10 HLN

Submersible Well Pumps with Noryl Impeller

10 GPM

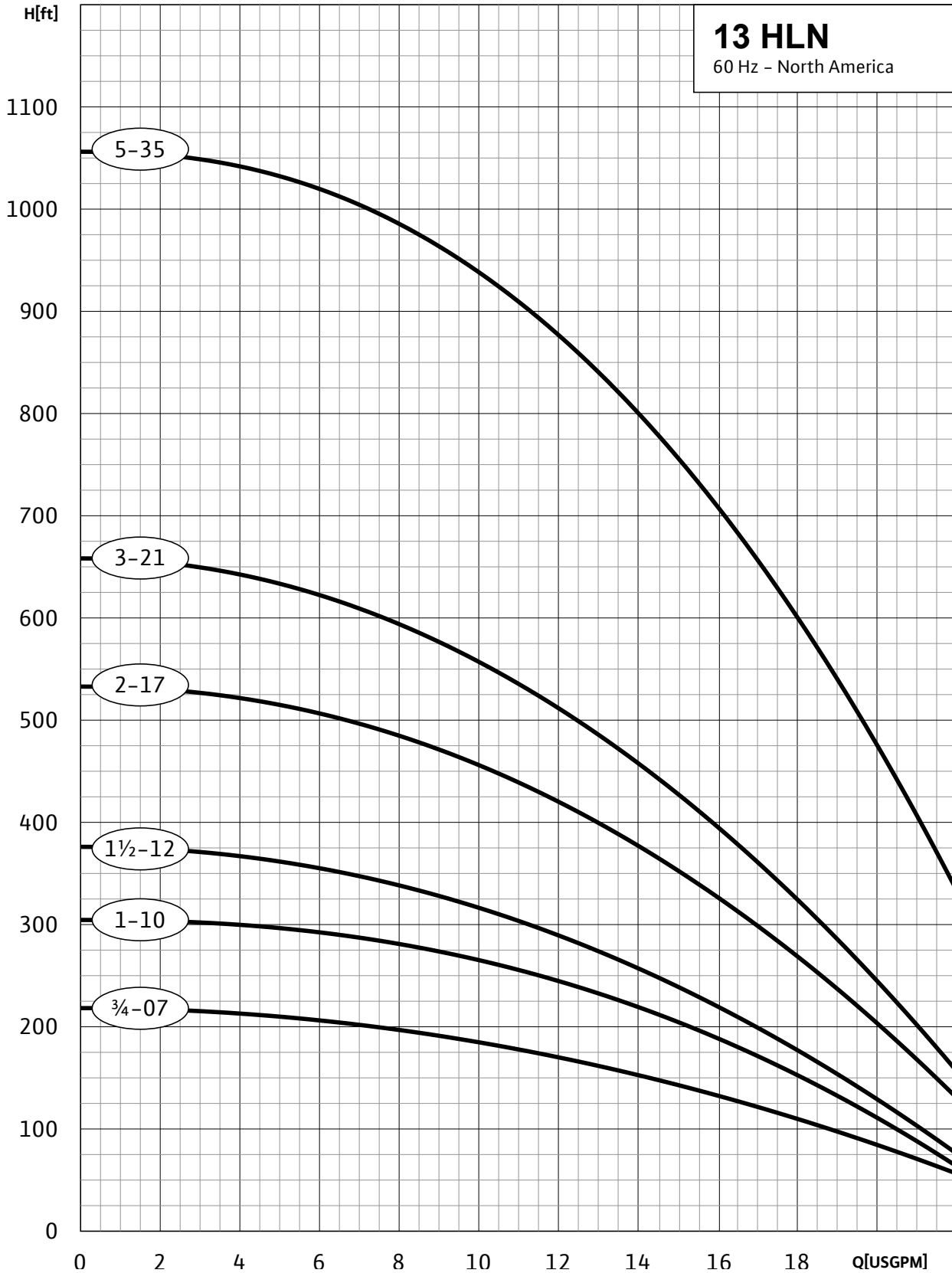


MODEL	HP	PSI	Depth to Water in Feet																												
			20	40	60	80	100	120	140	160	180	200	220	240	260	280	300	340	380	420	460	500	540	580	620	660	700	740	780	820	
10HL05N	½	0				16.0	15.3	14.3	12.8	11.3	9.0	6.4																			
		20		15.9	14.9	13.8	12.5	10.8	8.3	4.8																					
		30	15.7	14.6	13.5	12.3	10.5	7.8	4.0																						
		40	14.5	13.4	12.0	10.3	7.5	3.0																							
		50	13.0	11.5	9.8	7.2																									
		60	11.3	9.0	6.4																										
Shut-off PSI			89	81	72	63	55	46	37	29	20	11																			
10HL07N	¾	0					16.0	15.2	14.3	13.4	12.5	11.5	10.3	9.0	7.0	4.0															
		20				15.8	15.0	14.0	13.0	12.3	11.2	10.2	8.5	6.0																	
		30			15.7	14.8	13.9	12.8	12.0	11.0	9.8	8.2	5.5																		
		40		15.6	14.7	13.8	12.7	11.9	10.8	9.7	8.1	5.2																			
		50	15.3	14.4	13.5	12.6	11.6	10.5	9.4	7.5	4.8																				
		60	14.3	13.4	12.5	11.5	10.3	9.0	7.0	4.0																					
Shut-off PSI			130	121	113	104	95	87	78	69	61	52	43	35	26	17	9														
10HL10N	1	0								15.8	15.2	14.5	13.7	12.8	12.0	11.0	10.0	6.7													
		20						15.7	14.9	14.3	13.5	12.7	11.7	10.6	9.6	8.1	6.5														
		30					16.0	15.6	14.8	14.2	13.3	12.5	11.6	10.4	9.4	7.8	5.5	3.0													
		40				16.0	15.5	14.7	14.1	13.2	12.4	11.5	10.3	9.1	7.4	5.0	3.0														
		50			15.3	14.6	13.9	13.0	12.3	11.3	10.1	8.9	7.0	4.3																	
		60	15.8	15.2	14.5	13.7	12.8	12.0	11.0	10.0	8.6	6.7	4.0																		
Shut-off PSI			158	150	141	132	124	115	106	98	89	81	72	63	55	46	37	20													
10HL15N	1½	0											15.7	15.3	14.8	14.4	13.3	12.2	10.9	9.3	7.1	3.0									
		20										16.0	15.6	15.2	14.7	14.3	13.7	13.2	11.9	10.6	9.0	6.5									
		30									15.9	15.5	15.2	14.6	14.2	13.5	13.1	12.6	11.3	9.7	7.6	4.0									
		40							15.8	15.5	15.1	14.6	14.2	13.5	13.0	12.5	11.8	10.3	8.8	6.0											
		50					15.7	15.4	14.9	14.5	14.0	13.4	12.8	12.3	11.7	11.0	9.4	7.4	3.4												
		60				15.7	15.3	14.8	14.4	13.9	13.3	12.8	12.2	11.6	10.9	10.1	8.1	5.6													
Shut-off PSI							197	188	180	171	162	154	144	136	128	119	110	93	76	58	41	24	6								
10HL20N	2	0													16.0	15.7	14.9	14.2	13.4	12.4	11.4										
		20												15.9	15.5	15.3	14.8	14.1	13.2	12.2	11.0	9.9									
		30											15.8	15.4	15.1	14.7	14.0	13.5	12.7	11.7	10.3	8.8									
		40										15.8	15.4	15.1	14.7	14.4	14.0	12.9	12.2	10.9	9.5	7.8									
		50								16.1	15.7	15.3	15.0	14.6	14.2	14.0	13.4	12.5	11.5	10.1	8.5	6.0									
		60					16.0	15.7	15.3	14.9	14.5	14.2	13.8	13.4	12.8	11.8	10.7	9.1	7.2	3.4											
Shut-off PSI									225	216	208	199	190	182	173	164	156	139	121	104	87	69									
10HL30□	3	0																15.8	15.2	14.6	14.0										
		20																	15.7	15.1	14.5	13.9	13.2								
		30																		15.9	15.4	14.8	14.2	13.4	12.8						
		40																			15.9	15.6	15.0	14.4	13.8	13.1	12.4				
		50													16.0	15.8	15.6	15.3	14.7	14.1	13.3	12.7	11.9								
		60												16.0	15.8	15.5	15.2	14.8	14.3	13.7	12.9	12.3	11.4								
Shut-off PSI													284	275	267	258	249	232	215	197	180	163									
			440	480	520	560	600	640	680	720	760	800	840	880	920	960	1000	1040	1080	1120	1160	1200									
10HL50N	5	0					16	15.5	15.2	14.9	14.5	14	13.5	13	12.5	12	11.5	10.8	10.2	9.5	8.5										
		20					15.9	15.4	15.1	14.8	14.5	13.9	13.4	12.9	12.4	11.9	11.3	10.7	10.1	9.4	8.2	6.8									
		30					15.6	15.2	14.9	14.6	14.2	13.7	13.1	12.6	12.1	11.6	11.0	10.4	9.8	8.8	7.5	6.0									
		40				15.8	15.3	15.1	14.7	14.4	13.8	13.3	12.8	12.3	11.8	11.2	10.6	10.0	9.2	7.9	6.6	4.1									
		50				15.5	15.2	14.9	14.6	14.1	13.6	13.0	12.5	12.1	11.5	10.9	10.3	9.7	8.6	7.3	5.6										
		60			15.7	15.3	15.0	14.7	14.3	13.7	13.2	12.7	12.2	11.7	11.1	10.5	9.9	9.0	7.7	6.5	3.2										
Shut-off PSI					346	329	312	294	277	260	242	225	208	191	173	156	139	121	104	87	69	52									

Hi/Lo "N" Series – 13 HLN

Submersible Well Pumps with Noryl Impeller

13 GPM



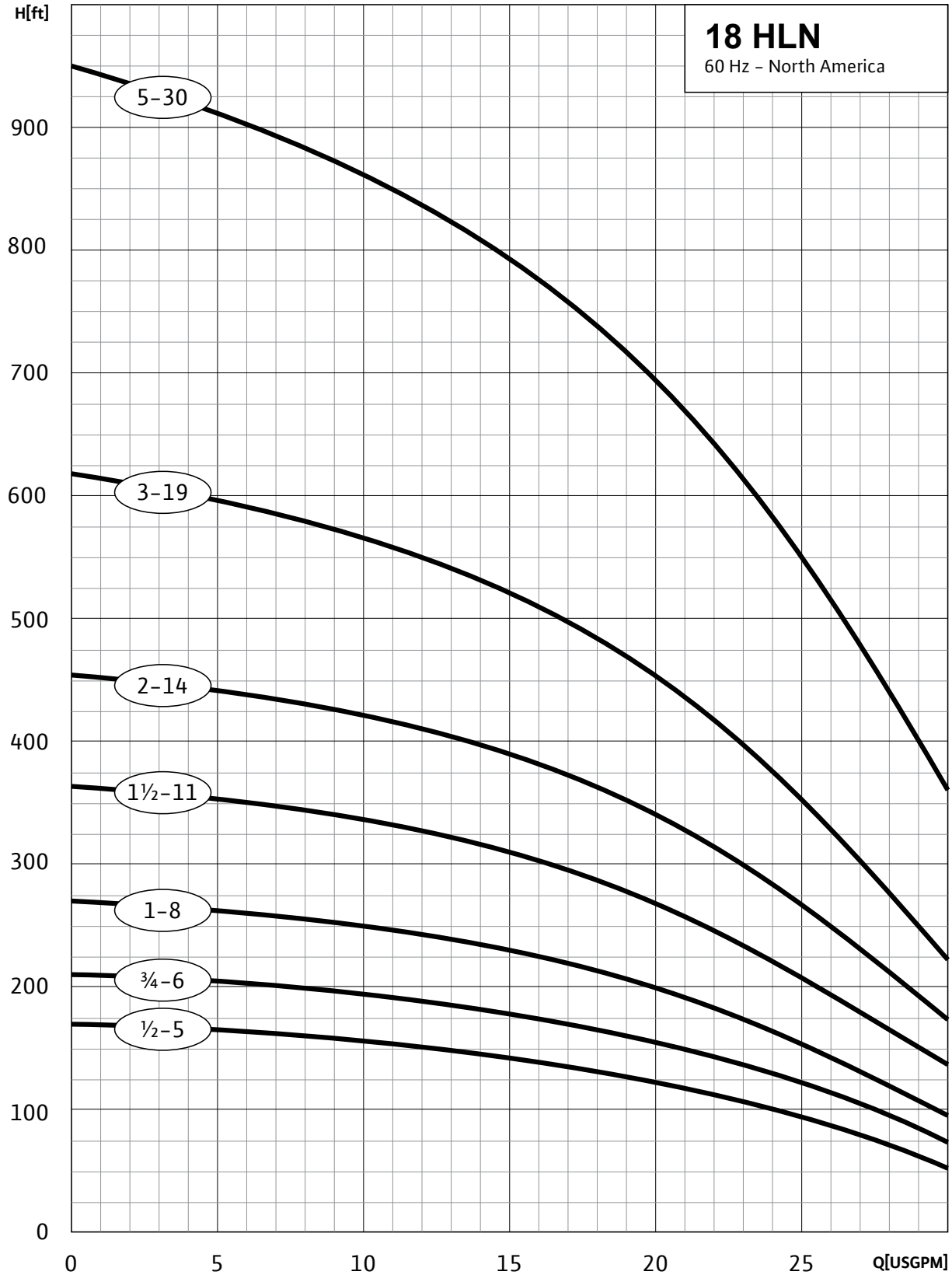
MODEL	HP	PSI	Depth to Water in Feet																						
			20	40	60	80	100	120	140	160	180	200	240	260	280	300	340	380	420	460	500	540	580	620	660
13HL07N	¾	0				17.7	16.5	15.0	13.0	11.2	9.5	6.5													
		20		17.4	16.0	14.4	12.8	10.9	8.5	4.0															
		30	16.9	15.5	14.0	12.6	10.5	8.0	3.0																
		40	15.4	13.9	12.4	10.4	7.7	2.0																	
		50	13.4	11.8	10.0	7.5																			
		60	11.2	9.5	6.5																				
Shut-off PSI			86	78	69	61	52	43	35	26	17	8													
13HL10N	1	0						17.6	16.4	15.6	14.6	13.4	12.1	10.8	9.4	7.5	4.0								
		20			18.0	17.4	16.5	15.2	14.3	13.0	11.8	10.5	9.0	6.5	2.0										
		30		18.0	17.2	16.2	15.1	13.8	12.7	11.6	10.2	8.5	5.5												
		40	17.9	17.0	16.0	15.0	13.7	12.6	11.5	10.0	8.1	5.3													
		50	16.8	15.8	14.8	13.5	12.5	11.0	9.6	7.9	5.0														
		60	15.6	14.6	13.4	12.1	10.8	9.4	7.5	4.0															
Shut-off PSI			128	119	110	102	93	84	76	67	58	50	41	32	24	15	6								
13HL15N	1½	0							21.7	20.9	20.2	19.3	18.3	17.2	16.2	15.2	14.1	10.7							
		20					21.5	20.4	19.9	19.0	18.0	17.1	16.1	14.9	13.8	12.2	10.8								
		30			22.2	21.4	20.6	19.6	18.8	17.8	16.9	16.0	14.6	13.5	11.9	9.9	6.0								
		40	22.0	21.3	20.5	19.5	18.6	17.7	16.8	15.9	14.5	13.4	11.5	9.3	6.0										
		50	22.0	21.1	20.3	19.4	18.4	17.5	16.5	15.6	14.3	13.0	11.2	8.3											
		60	20.9	20.2	19.3	18.3	17.2	15.3	14.1	13.0	10.7	7.6													
Shut-off PSI			156	147	139	130	121	113	104	95	87	78	69	61	52	43	35	17							
13HL20N	2	0										21.0	20.5	20.0	19.3	18.9	18.2	16.8	15.4	13.6	11.5	8.7			
		20								20.8	20.4	19.8	19.2	18.6	18.0	17.3	16.6	15.1	13.4	11.2	7.8				
		30							20.7	20.3	19.7	19.2	18.4	17.8	17.2	16.5	15.8	14.1	12.1	9.8					
		40					20.6	20.2	19.6	19.1	18.3	17.7	17.1	16.4	15.7	14.8	13.0	10.8	7.0						
		50			21.1	20.5	20.1	19.4	19.0	18.2	17.6	17.0	16.2	15.6	14.7	13.9	11.8	9.5							
		60		21.0	20.5	19.3	18.9	18.2	17.5	16.8	16.1	15.4	14.6	13.6	12.5	10.2	6.0								
Shut-off PSI					206	198	180	172	163	155	146	137	129	120	111	103	85	68	51	33	16				
13HL30N	3	0												21.8	21.4	20.9	20.0	19.1	18.0	16.6	15.5	13.9	12.0	9.3	
		20										21.6	21.2	20.9	20.3	19.9	19.0	17.9	16.7	15.3	13.8	11.7	8.9		
		30								22.0	21.5	21.1	20.8	19.8	19.4	18.4	17.2	15.9	14.3	12.5	10.3	6.0			
		40							22.0	21.4	21.1	20.7	20.2	19.8	19.3	18.8	17.6	16.5	15.0	13.4	11.5	8.0			
		50						21.9	21.5	21.0	20.6	20.1	19.7	19.2	18.7	18.1	16.9	15.7	14.0	12.1	9.9				
		60					21.8	21.4	20.9	20.5	20.0	19.5	19.1	18.6	18.0	17.4	16.2	14.9	13.0	11.0	7.0				
Shut-off PSI						235	226	217	209	200	191	183	174	165	157	139	122	104	87	70	53	35	18		

MODEL	HP	PSI	Depth to Water in Feet																									
			200	240	260	300	340	380	420	460	480	520	560	600	700	800	900											
13HL50N	5	0												23.0	22.0	21.0	20.5	19.7	19.5	19.0	18.7	18.0	16.2	14.5	12.2			
		20													21.5	21.0	20.5	20.0	19.4	19.1	18.5	18.0	17.3	15.5	13.6	11.0		
		30													21.8	20.9	20.3	20.0	19.5	18.9	18.6	18.1	17.5	17.0	15.2	13.0	10.0	
		40													21.5	21.3	20.7	20.3	19.8	19.5	18.8	18.5	17.9	17.1	16.6	14.7	12.7	9.2
		50													21.3	21.0	20.5	20.0	19.5	19.0	18.4	18.4	17.5	16.8	16.2	14.2	11.9	8.5
		60													21.2	20.9	20.6	20.2	19.2	19.2	18.7	18.0	17.7	17.0	16.4	15.8	13.7	11.2
Shut-off PSI														381	363	354	337	320	303	285	268	260	242	225	208	165	121	78

Hi/Lo "N" Series – 18 HLN

Submersible Well Pumps with Noryl Impeller

18 GPM

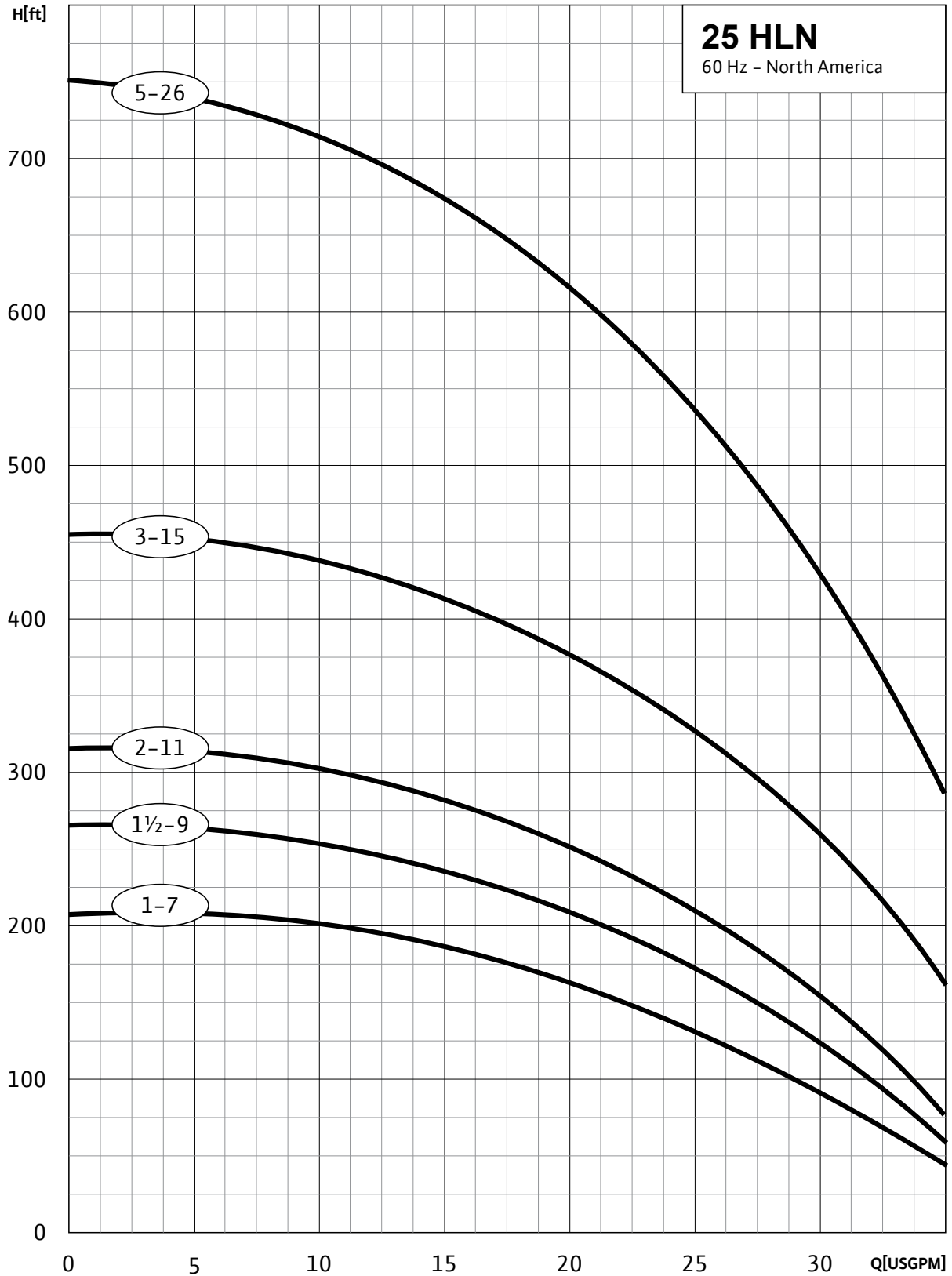


MODEL	HP	PSI	Depth to Water in Feet																															
			20	40	60	80	100	120	140	160	180	200	220	240	260	280	300	340	380	420	460	500	540	580	620	660	700	740	780	820	860			
18HL05N	½	0	29.3	26.6	24.5	21.3	12.0																											
		20	23.9	20.7	16.3	9.4																												
		30	16.1	15.6	6.0																													
		40	14.8	6.2																														
		50	5.4																															
		60																																
18HL07N	¾	0		28.6	26.3	24.9	22.2	19.2	14.3	10.5																								
		20	26.6	24.4	21.4	18.1	14.3	8																										
		30	23.1	21.2	17.7	13	5.0																											
		40	21.1	17.6	12.4	2.3																												
		50	17.0	11.7	2.0																													
		60																																
18HL10N	1	0					27.0	25.5	23.6	21.2	18.8	15.9	12.0																					
		20		28.0	26.6	25.1	22.7	20.0	17.6	14.0	10.0																							
		30	27.9	26.1	24.3	22.2	19.8	17.1	13.8	8.3																								
		40	26.0	24.1	22.0	19.7	17.0	13.1	8.0																									
		50	24.0	22.0	19.1	16.5	13.0	7.1																										
		60	21.0	18.6	15.8	12.0																												
Shut-off PSI			103	94	86	77	68	60	51	42	34	25	16																					
18HL15N	1½	0					28.4	27.2	26.0	24.8	23.0	21.4	19.6	17.5	15.0	12.1																		
		20				27.8	26.8	25.4	24.0	22.2	20.6	18.8	16.7	14.0	10.0																			
		30			27.7	26.5	25.3	23.8	22.0	20.2	18.5	16.1	13.5	10.0																				
		40		27.5	26.3	25.0	23.6	22.0	20.1	18.1	16.0	13.1	9.5																					
		50	27.6	26.4	25.0	23.4	21.8	20.0	18.0	15.5	13.0	9.2																						
		60	26.0	24.6	23.0	21.2	19.5	17.5	15.0	12.0	7.9																							
Shut-off PSI			143	134	126	117	108	100	91	82	74	65	56	48	39	30	22																	
18HL20N	2	0						28.0	27.1	26.2	25.1	24.0	22.9	21.4	20.0	16.8	12.8																	
		20					27.8	26.8	25.8	24.6	23.7	22.6	21.0	19.5	18.0	16.0	11.6																	
		30					27.5	26.5	25.5	24.5	23.3	22.1	20.6	19.0	17.5	15.8	13.6	6.5																
		40			28.5	27.4	26.4	25.4	24.4	23.2	22.0	20.5	18.9	17.4	15.7	13.5	11.0																	
		50	28.0	27.2	26.2	25.3	24.3	23.0	21.8	20.3	18.7	17.0	15.3	13.1	10.5	6.0																		
		60	28.0	27.1	26.2	25.1	24.0	22.9	21.4	20.0	18.3	16.8	14.8	12.8	9.5																			
Shut-off PSI			183	174	165	157	148	139	131	122	113	105	96	87	79	70	61	44	27															
18HL30N	3	0									28.0	27.4	26.7	26.0	25.0	23.5	21.5	19.2	16.9	14.2	10.5													
		20									27.7	27.0	26.3	25.8	24.9	24.0	23.0	21.0	18.9	16.5	13.5	9.0												
		30									27.6	26.9	26.2	25.5	24.8	23.9	22.9	21.9	19.8	17.5	14.9	11.2												
		40									27.5	26.9	26.2	25.4	24.6	23.8	22.8	21.8	20.9	18.5	16.0	13.3	8.0											
		50								27.4	26.8	26.0	25.2	24.5	23.6	22.6	21.7	20.6	19.5	17.3	14.5	11.0												
		60								28.0	27.4	26.7	26.0	25.0	24.3	23.5	22.5	21.5	20.5	19.2	18.0	15.7	12.8	7.0										
Shut-off PSI						225	216	208	199	190	182	173	164	156	147	139	130	113	95	78	61	43	26											
18HL50N	5	0															27.9	26.8	25.8	24.8	23.7	22.6	21.2	19.9	18.4	16.8	14.8	12.4	9.7					
		20															27.5	26.6	25.6	24.5	23.3	22.2	21.0	19.8	18.0	16.2	14.3	12.0	8.8					
		30															28.0	26.9	26.0	25.0	23.9	22.9	21.6	20.3	18.6	17.0	15.0	13.0	10.2	6.2				
		40															28.0	27.4	26.3	25.3	24.4	23.2	22.1	20.1	19.4	17.9	16.0	14.0	11.6	8.0				
		50															27.9	27.3	26.8	25.9	24.9	23.8	22.7	21.3	20.1	18.5	16.9	14.9	12.8	10.0	6.0			
		60															27.9	27.2	26.8	26.2	25.2	24.1	23.0	21.9	20.7	19.2	17.5	15.8	13.6	11.0	7.8			
Shut-off PSI																307	298	290	281	264	246	229	212	195	177	160	143	125	108	91	73	56	39	

Hi/Lo "N" Series – 25 HLN

Submersible Well Pumps with Noryl Impeller

25 GPM

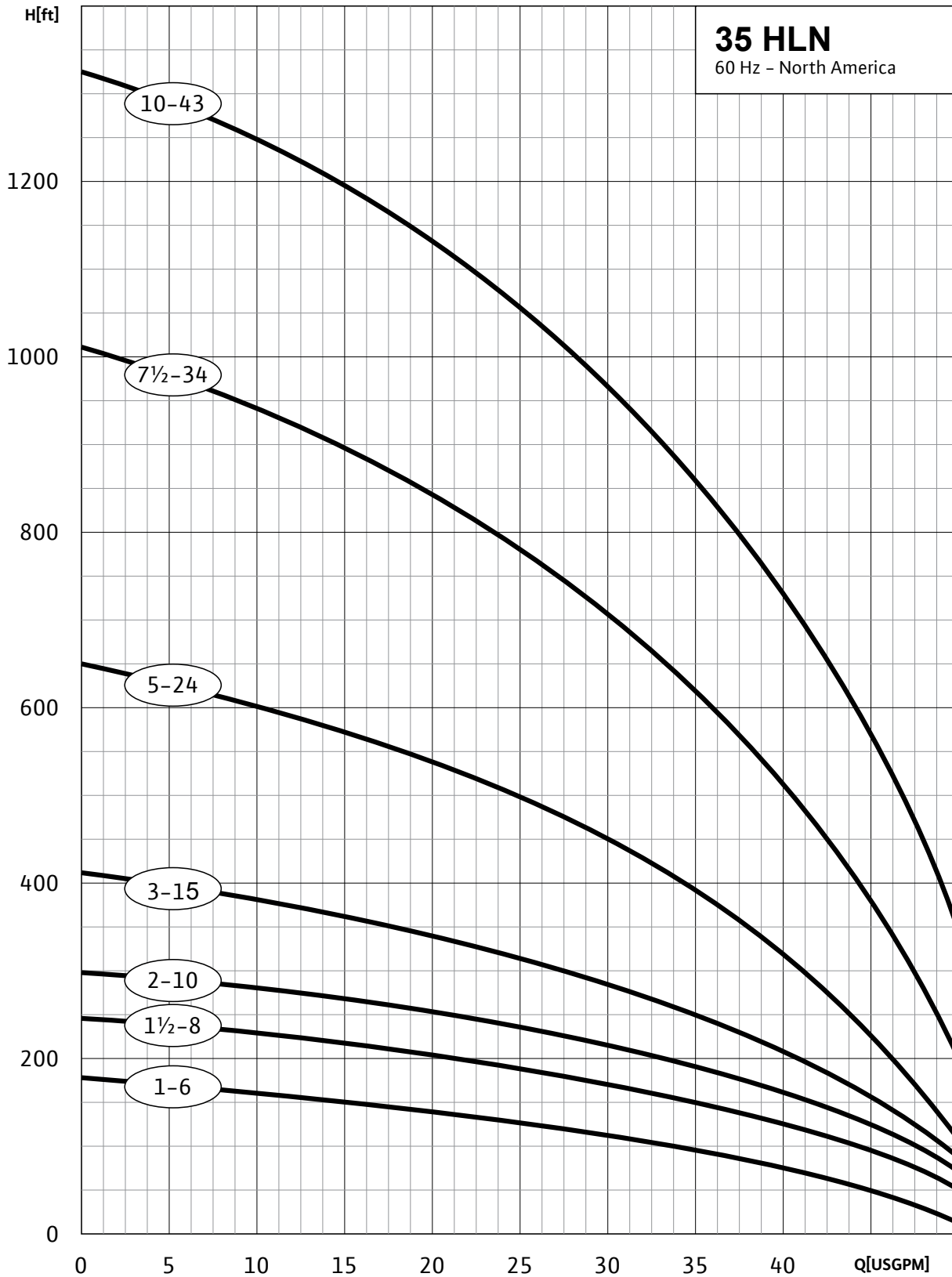


MODEL	HP	PSI	Depth to Water in Feet																											
			20	40	60	80	100	120	140	160	180	200	220	240	260	280	300	340	380	420	460	500	540	580	620	660	700	740		
25HL10N	1	0			32.8	30.8	28.6	26.2	23.5	20.0	16.2	11.0																		
		20	31.8	30.0	27.5	25.2	22.0	19.0	15.0	8.0																				
		30	29.6	27.2	25.0	21.6	18.0	14.0																						
		40	27.1	24.9	21.5	17.9	13.9																							
		50	24.3	21.0	17.5	13.0																								
		60	20.0	16.2	11.0																									
Shut-off PSI			82	74	65	56	48	39	30	22	13	4																		
25HL15N	1½	0				33.0	31.8	30.3	28.8	26.9	24.8	22.0	19.8	16.5	11.0															
		20		32.6	31.2	29.6	28.0	26.0	23.8	21.0	18.1	14.8	8.0																	
		30	32.5	31.0	29.5	27.6	25.6	23.2	20.9	17.9	14.0																			
		40	30.9	29.4	27.5	25.5	23.1	20.8	17.7	13.6																				
		50	29.0	27.2	25.1	22.9	20.4	17.2	13.0																					
		60	26.9	24.8	22.0	19.8	16.5	11.0																						
Shut-off PSI			111	103	94	85	77	68	59	51	42	33	25	16	7															
25HL20N	2	0					33.0	31.8	30.4	29.0	27.4	25.7	22.6	21.5	19.3	15.4														
		20				32.7	31.3	30.0	28.6	26.8	25.0	22.9	20.9	18.3	14.3	9.0														
		30			32.3	31.0	29.6	28.5	26.4	24.5	22.6	20.5	18.0	14.0	8.0															
		40			30.9	29.5	28.2	26.3	24.3	22.4	20.4	17.8	13.6	8.0																
		50		30.5	29.4	28.0	26.0	24.1	22.1	20.0	17.2	13.2																		
		60	30.4	29.0	27.4	25.7	22.6	21.5	19.3	15.4	12.2																			
Shut-off PSI			139	130	121	113	104	95	87	78	69	61	52	43	35	26	17													
25HL30N	3	0							33.0	32.2	31.5	30.5	29.6	28.3	27.1	25.8	22.6	19.0	14.0											
		20						32.8	32.0	31.0	30.0	29.0	27.9	26.6	25.0	23.8	21.9	20.0	12.6											
		30					32.6	31.8	30.9	30.0	28.8	27.6	25.5	24.9	23.4	21.6	19.9	15.2	8.0											
		40				32.5	31.7	30.9	29.9	28.8	27.5	26.2	24.7	23.3	21.5	19.9	17.8	11.9												
		50			32.3	31.6	30.8	29.8	28.5	27.3	26.0	24.5	23.0	21.2	19.5	17.4	11.5													
		60	33.0	32.2	31.5	30.5	29.6	28.3	27.1	25.8	24.1	22.6	20.9	19.0	16.9	14.0	10.0													
Shut-off PSI			191	183	174	165	157	148	139	131	122	113	105	96	87	79	70	53	35	18										
25HL50N	5	0														33.0	32.5	31.5	30.2	29.0	27.6	26.0	24.2	22.4	20.5	18.3	15.8	12.0		
		20														32.9	32.3	31.8	31.3	30.0	28.8	27.2	25.8	23.9	22.0	20.0	17.8	15.0	11.0	
		30														32.8	32.2	31.8	31.2	30.5	29.3	27.9	26.4	24.8	22.9	21.0	18.9	16.2	13.0	8.0
		40														32.7	32.1	31.7	31.1	30.4	29.9	28.5	27.1	25.4	23.7	21.9	19.9	17.5	14.5	10.5
		50														32.6	32.1	31.6	31.0	30.3	29.9	29.2	27.8	26.3	24.5	22.6	21.8	18.7	16.0	12.7
		60									33.0	32.5	32.0	31.5	30.8	30.2	29.8	29.0	28.3	26.9	25.1	23.3	21.5	19.5	17.0	14.0	9.5			
Shut-off PSI									286	277	268	260	251	242	234	225	216	199	182	165	147	130	113	95	78	61	43	26		

Hi/Lo "N" Series – 35 HLN

Submersible Well Pumps with Noryl Impeller

35 GPM



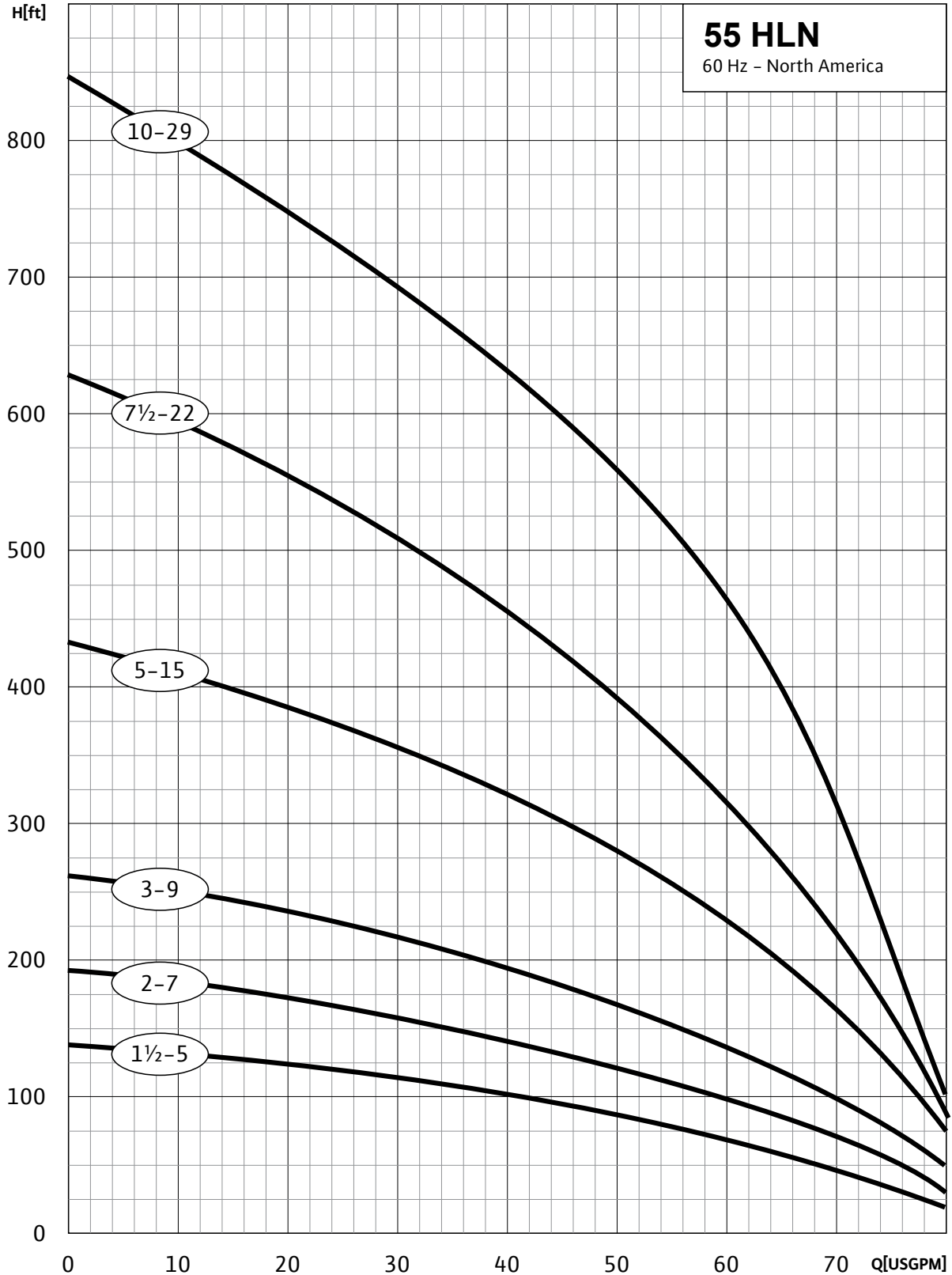
MODEL	HP	PSI	Depth to Water in Feet																											
			20	40	60	80	100	120	140	160	180	200	220	240	260	280	300	320	340	360	380	400	420	440	460	480	520	560	600	
35HL10N	1	0		48	45	41	36	30	22	11																				
		20	44	39	34	28	19																							
		30	39	33	27	17																								
		40	32	25	15																									
		50	24	14																										
		60	12																											
Shut-off PSI			67	58	50	41	32	24	15	6																				
35HL15N	1½	0		50	48	46	43	40	37	32	26	19																		
		20	48	45	43	39	35	31	24	17																				
		30	45	42	39	35	30	23	15																					
		40	42	38	34	29	22	14																						
		50	38	33	28	21	12																							
		60	33	27	20	11																								
Shut-off PSI			95	86	78	69	60	52	43	34	26	17																		
35HL20N	2	0			49	48	46	44	41	38	35	32	28	22																
		20	49	47	45	43	40	38	34	31	26	21	14																	
		30	47	45	42	40	37	34	30	25	20	13																		
		40	44	42	40	37	33	29	24	19	11																			
		50	42	39	36	33	29	24	18																					
		60	39	36	32	28	23	16																						
Shut-off PSI			121	112	103	95	86	77	69	60	51	43	34	26																
35HL30N	3	0				49	48	46	45	43	41	40	38	35	33	31	28	24	20	15										
		20	50	49	47	46	44	43	41	39	37	35	32	30	27	23	19	13												
		30	49	47	46	44	42	41	39	37	34	32	29	26	22	18	12													
		40	47	45	44	42	40	38	36	34	32	29	25	22	17	11														
		50	45	44	42	40	38	36	34	31	28	25	21	16																
		60	43	42	40	38	36	33	31	28	24	20	15																	
Shut-off PSI			170	161	152	144	135	126	118	109	100	92	83	74	66	57	48	40	31	23										

MODEL	HP	PSI	Depth to Water in Feet																											
			50	100	150	200	250	300	350	400	450	500	550	600	650	700	750	800	850	900	950	1000	1050	1100	1150	1200	1250	1300	1350	
35HL50N	5	0																												
		20	50	48	46	44	41	38	35	31	27	20	11																	
		30	49	47	45	43	40	37	34	30	25	17																		
		40	48	46	44	41	39	36	32	27	21	12																		
		50	47	45	43	40	37	34	30	25	18																			
		60	46	44	42	39	36	32	28	22	13																			
Shut-off PSI			264	242	220	199	177	156	134	112	91	69	47	26																
35HL75N	7½	0				50	48	47	46	44	42	40	38	36	33	31	27	23	19	14										
		20			50	49	47	46	44	42	41	38	36	34	31	28	24	19	14											
		30		50	49	48	46	45	43	42	40	37	35	32	29	26	22	17	12											
		40		50	49	47	46	44	43	41	39	36	34	31	28	24	20	15												
		50			49	48	47	45	43	42	40	38	35	33	30	26	22	17	12											
		60	50	49	47	46	44	43	41	39	37	34	31	28	24	20	15													
Shut-off PSI			415	393	371	350	328	306	285	263	241	220	198	176	155	133	111	90	68	47										
35HL100N	10	0																												
		20							50	48	46	45	43	42	41	40	39	38	36	34	31	29	25	22	18	14				
		30							49	47	45	44	43	42	41	40	38	37	35	33	30	27	24	20	16	12				
		40						50	48	46	45	44	43	42	40	39	38	36	34	32	29	26	22	18	14					
		50						49	47	45	44	43	42	41	40	39	37	35	33	30	27	24	20	16	12					
		60					50	48	46	45	44	43	42	41	39	38	36	34	32	29	26	22	19	14						
Shut-off PSI			551	529	508	486	464	443	421	399	378	356	334	313	291	269	248	226	205	183	161	140	118	96	75	53				

Hi/Lo "N" Series – 55 HLN

Submersible Well Pumps with Noryl Impeller

55 GPM



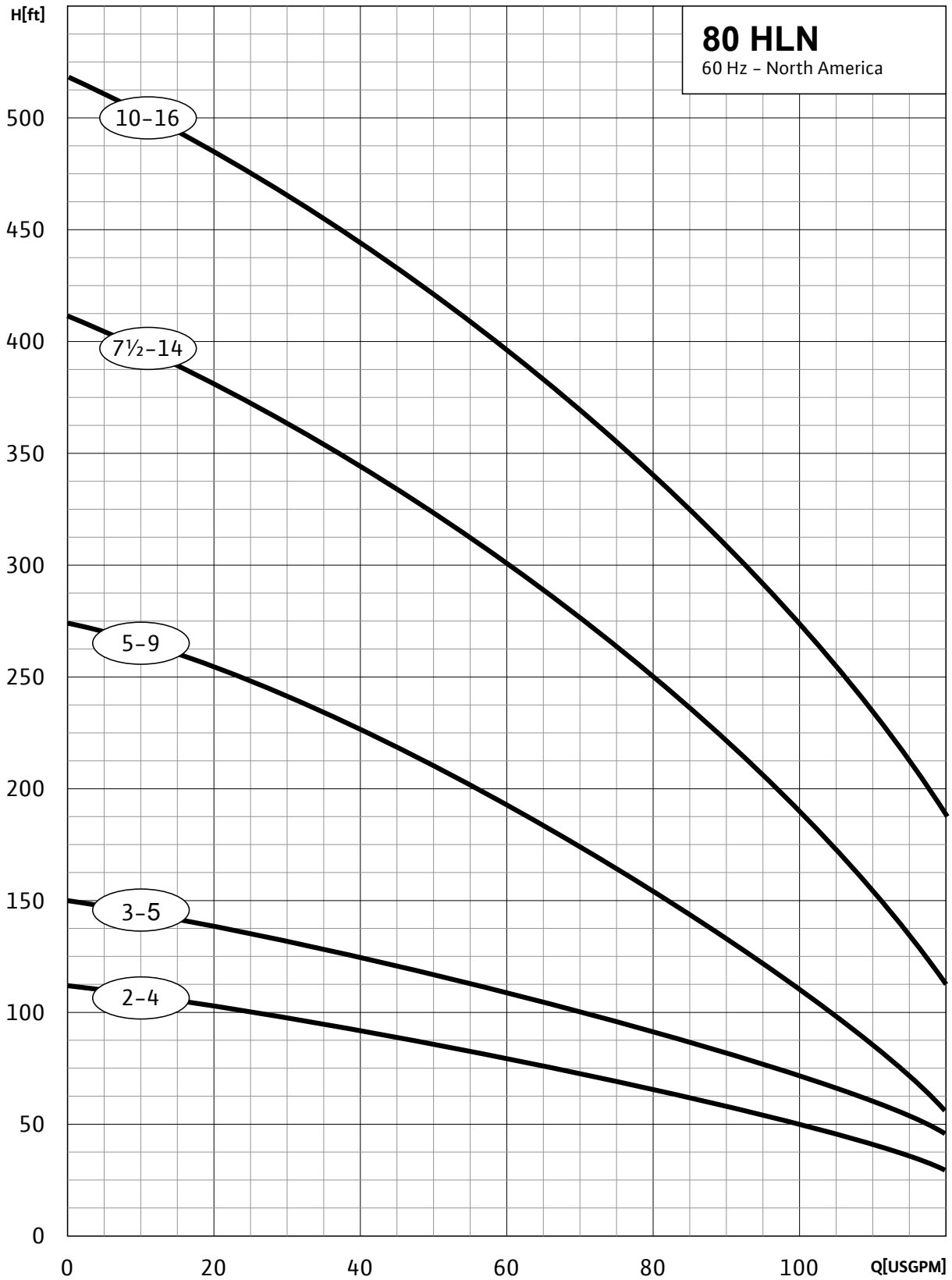
MODEL	HP	PSI	Depth to Water in Feet																								
			20	40	60	80	100	120	140	160	180	200	220	240	260	280	300	320	340	360	380	400	420	440	460	480	500
55HL15N	1½	0	78	71	64	54	42	24																			
		20	61	51	37																						
		30	49	35																							
		40	32																								
		50																									
		60																									
Shut-off PSI			52	43	35	26	17	9																			
55HL20N	2	0		76	71	65	58	50	41	28																	
		20	69	63	56	48	37	24																			
		30	62	55	46	35	21																				
		40	54	45	34																						
		50	43	32																							
		60	29																								
Shut-off PSI			76	67	58	50	41	32	24	15																	
55HL30N	3	0		80	76	72	68	63	58	52	44	35															
		20	75	71	67	62	56	49	42	32																	
		30	70	66	61	55	48	40	30																		
		40	65	60	54	47	39	28																			
		50	59	53	46	37	26																				
		60	52	45	36	25																					
Shut-off PSI			102	94	85	76	68	59	50	42	33	24															
55HL50N	5	0			80	78	76	73	71	68	65	62	58	55	50	46	40	34	27								
		20		80	77	75	73	70	67	64	61	57	53	49	44	39	32	25									
		30	79	77	75	72	70	67	64	60	57	53	48	43	38	31	24										
		40	77	74	72	69	66	63	60	56	52	47	42	37	30	23											
		50	74	71	69	66	63	59	55	51	47	42	36	29	22												
		60	71	68	65	62	59	55	51	46	41	35	28	20													
Shut-off PSI			178	169	161	152	143	135	126	117	109	100	91	83	74	65	57	48	39	31							

MODEL	HP	PSI	Depth to Water in Feet																							
			20	60	100	140	180	220	260	300	340	380	420	460	500	540	580	620	660	700	740	780	820	860	900	940
55HL75N	7½	0			79	76	73	70	66	62	58	52	46	39	31	22										
		20		78	76	73	69	66	61	57	52	45	38	30	20											
		30	80	77	74	71	67	63	59	54	48	41	33	24												
		40	78	75	72	69	65	61	56	51	44	37	28													
		50	76	73	70	67	63	58	53	47	40	32	23													
		60	75	72	68	64	60	55	50	43	36	27														
Shut-off PSI			261	243	226	209	191	174	157	139	122	105	88	70	53	36										
55HL100N	10	0			80	78	76	73	71	68	66	63	60	56	51	47	41	35	28							
		20		80	78	76	74	73	70	68	65	62	59	55	51	46	40	33	26							
		30		79	77	75	73	71	69	67	64	61	57	53	48	42	36	29	22							
		40	79	78	76	74	72	70	68	65	62	59	55	50	45	39	32	25								
		50	78	77	75	73	71	69	66	63	60	56	52	47	42	35	28	21								
		60	77	76	74	72	70	67	65	61	58	54	49	44	38	31	24									
Shut-off PSI			353	336	319	301	284	267	250	232	215	198	180	163	146	128	111	94	76	59						

Hi/Lo "N" Series – 80 HLN

Submersible Well Pumps with Noryl Impeller

80 GPM



MODEL	HP	PSI	Depth to Water in Feet																								
			20	40	60	80	100	120	140	160	180	200	220	240	260	280	300	320	340	360	380	400	420	440	460		
80HL20N	2	0	97	87	77	66	49	33																			
		20	87	60	46	26																					
		30	63	42	26																						
		40	45	25																							
		50	22																								
		60																									
Shut-off PSI																											
80HL30N	3	0		119	105	87	68																				
		20	99	82	62																						
		30	79	58																							
		40	55																								
		50																									
		60																									
Shut-off PSI			55	46	38	29	20																				
80HL50N	5	0				118	109	101	92	71	58																
		20	123	115	107	98	89	78	67	54																	
		30	114	105	97	87	77	65																			
		40	104	95	86	75	63																				
		50	93	84	73	61																					
		60	82	72	59																						
Shut-off PSI			107	98	90	81	72	64	55	46	38	29															
80HL75N	7½	0						115	110	104	98	82	86	79	72	65	57										
		20			119	114	108	102	97	90	84	77	69	63													
		30		118	113	107	102	96	89	83	76	69	62														
		40	117	112	106	101	95	88	82	75	68	60															
		50	111	106	99	94	87	81	74	67	59																
		60	105	99	93	86	80	73	66	58																	
Shut-off PSI			171	162	153	145	136	127	119	110	101	93	84	75	67	58	49										
80HL100N	10	0								120	117	111	107	101	95	90	85	79	74	67	57	53	43	37	28		
		20								118	112	106	102	96	90	85	79	73	55	58	52	44	36	26			
		30					115	112	110	106	99	94	88	83	77	71	63	56	50	40	32	25					
		40					115	113	109	103	97	92	87	82	76	69	63	55	48	38	32						
		50					116	113	108	103	97	92	87	80	75	68	63	55	48	39	32						
		60	120	116	112	107	103	97	92	85	79	74	68	62	56	45	38	28									
Shut-off PSI			216	208	199	190	181	173	164	156	147	138	130	121	112	104	95	86	78	69	61	52	43	35			

A.Y. McDonald 23000 Series - 5 GPM

***** 2-Wire 1ph Pump End & Motor Complete**

<u>Model</u>	<u>HP</u>	<u>Stages</u>	<u>Voltage</u>	<u>Weight</u>	<u>List Price</u>
23050J2A	1/2	13	115	30	\$ -
23050J2	1/2	13	230	30	\$ -
23075J2	3/4	18	230	36	\$ -
23100J2	1	23	230	41	\$ -
23150J2	1 1/2	30	230	49	\$ -

3-Wire 1ph Pump End & Motor Complete

<u>Model</u>	<u>HP</u>	<u>Stages</u>	<u>Voltage</u>	<u>Weight</u>	<u>List Price</u>
23050J3A	1/2	13	115	30	\$ -
23050J3	1/2	13	230	30	\$ -
23075J3	3/4	18	230	36	\$ -
23100J3	1	23	230	41	\$ -
23150J3	1 1/2	30	230	41	\$ -

Pump End Only

<u>Model</u>	<u>HP</u>	<u>Stages</u>	<u>Weight</u>	<u>List Price</u>
23050J	1/2	13	10	\$ -
23075J	3/4	18	12	\$ -
23100J	1	23	13	\$ -
23150J	1 1/2	30	18	\$ -



A.Y. McDonald 23000 Series - 7 GPM

***** 2-Wire 1ph Pump End & Motor Complete**

<u>Model</u>	<u>HP</u>	<u>Stages</u>	<u>Voltage</u>	<u>Weight</u>	<u>List Price</u>
23050V2A	1/2	9	115	26	\$ -
23050V2	1/2	9	230	26	\$ -
23075V2	3/4	12	230	30	\$ -
23100V2	1	16	230	34	\$ -
23150V2	1 1/2	21	230	46	\$ -

3-Wire 1ph Pump End & Motor Complete

<u>Model</u>	<u>HP</u>	<u>Stages</u>	<u>Voltage</u>	<u>Weight</u>	<u>List Price</u>
23050V3A	1/2	9	115	26	\$ -
23050V3	1/2	9	230	26	\$ -
23075V3	3/4	12	230	30	\$ -
23100V3	1	16	230	35	\$ -
23150V3	1 1/2	21	230	41	\$ -
23200V3	2	26	230	49	\$ -

Pump End Only

<u>Model</u>	<u>HP</u>	<u>Stages</u>	<u>Weight</u>	<u>List Price</u>
23050V	1/2	9	10	\$ -
23075V	3/4	12	13	\$ -
23100V	1	16	11	\$ -
23150V	1 1/2	21	16	\$ -
23200V	2	26	18	\$ -



A.Y. McDonald 23000 Series - 10 GPM
***** 2-Wire 1ph Pump End & Motor Complete**

<u>Model</u>	<u>HP</u>	<u>Stages</u>	<u>Voltage</u>	<u>Weight</u>	<u>List Price</u>
23050K2A	1/2	7	115	25	\$ -
23050K2	1/2	7	230	25	\$ -
23075K2	3/4	9	230	28	\$ -
23100K2	1	12	230	32	\$ -
23150K2	1 1/2	16	230	40	\$ -

3-Wire 1ph Pump End & Motor Complete

<u>Model</u>	<u>HP</u>	<u>Stages</u>	<u>Voltage</u>	<u>Weight</u>	<u>List Price</u>
23050K3A	1/2	7	115	28	\$ -
23050K3	1/2	7	230	28	\$ -
23075K3	3/4	9	230	31	\$ -
23100K3	1	12	230	35	\$ -
23150K3	1 1/2	16	230	44	\$ -
23200K3	2	20	230	46	\$ -
23300K3	3	26	230	70	\$ -
23500K3	5	33	230	89	\$ -

Pump End Only

<u>Model</u>	<u>HP</u>	<u>Stages</u>	<u>Weight</u>	<u>List Price</u>
23050K	1/2	7	7	\$ -
23075K	3/4	9	8	\$ -
23100K	1	12	9	\$ -
23150K	1 1/2	16	11	\$ -
23200K	2	20	14	\$ -
23300K	3	26	16	\$ -
23500K	5	33	18	\$ -



A.Y. McDonald 23000 Series - 15 GPM

***** 2-Wire 1ph Pump End & Motor Complete**

<u>Model</u>	<u>HP</u>	<u>Stages</u>	<u>Voltage</u>	<u>Weight</u>	<u>List Price</u>
23050L2A	1/2	6	115	24	\$ -
23050L2	1/2	6	230	24	\$ -
23075L2	3/4	8	230	28	\$ -
23100L2	1	10	230	32	\$ -
23150L2	1 1/2	13	230	40	\$ -

3-Wire 1ph Pump End & Motor Complete

<u>Model</u>	<u>HP</u>	<u>Stages</u>	<u>Voltage</u>	<u>Weight</u>	<u>List Price</u>
23050L3A	1/2	6	115	24	\$ -
23050L3	1/2	6	230	24	\$ -
23075L3	3/4	8	230	28	\$ -
23100L3	1	10	230	32	\$ -
23150L3	1 1/2	13	230	37	\$ -
23200L3	2	17	230	44	\$ -
23300L3	3	23	230	58	\$ -
23500L3	5	35	230	85	\$ -

Pump End Only

<u>Model</u>	<u>HP</u>	<u>Stages</u>	<u>Weight</u>	<u>List Price</u>
23050L	1/2	6	7	\$ -
23075L	3/4	8	8	\$ -
23100L	1	10	9	\$ -
23150L	1 1/2	13	10	\$ -
23200L	2	17	12	\$ -
23300L	3	23	15	\$ -
23500L	5	35	22	\$ -



A.Y. McDonald 23000 Series - 20 GPM

***** 2-Wire 1ph Pump End & Motor Complete**

<u>Model</u>	<u>HP</u>	<u>Stages</u>	<u>Voltage</u>	<u>Weight</u>	<u>List Price</u>
23050P2A	1/2	5	115	24	\$ -
23050P2	1/2	5	230	24	\$ -
23075P2	3/4	7	230	28	\$ -
23100P2	1	9	230	32	\$ -
23150P2	1 1/2	12	230	42	\$ -

3-Wire 1ph Pump End & Motor Complete

<u>Model</u>	<u>HP</u>	<u>Stages</u>	<u>Voltage</u>	<u>Weight</u>	<u>List Price</u>
23050P3A	1/2	5	115	24	\$ -
23050P3	1/2	5	230	24	\$ -
23075P3	3/4	7	230	27	\$ -
23100P3	1	9	230	32	\$ -
23150P3	1 1/2	12	230	38	\$ -
23200P3	2	14	230	43	\$ -
23300P3	3	20	230	56	\$ -
23500P3	5	32	230	84	\$ -

Pump End Only

<u>Model</u>	<u>HP</u>	<u>Stages</u>	<u>Weight</u>	<u>List Price</u>
23050P	1/2	5	6	\$ -
23075P	3/4	7	8	\$ -
23100P	1	9	9	\$ -
23150P	1 1/2	12	10	\$ -
23200P	2	14	11	\$ -
23300P	3	20	14	\$ -
23500P	5	32	22	\$ -



A.Y. McDonald 23000 Series - 25 GPM
***** 2-Wire 1ph Pump End & Motor Complete**

<u>Model</u>	<u>HP</u>	<u>Stages</u>	<u>Voltage</u>	<u>Weight</u>	<u>List Price</u>
23050M2A	1/2	4	115	24	\$ -
23050M2	1/2	4	230	24	\$ -
23075M2	3/4	5	230	26	\$ -
23100M2	1	7	230	31	\$ -
23150M2	1 1/2	9	230	40	\$ -

3-Wire 1ph Pump End & Motor Complete

<u>Model</u>	<u>HP</u>	<u>Stages</u>	<u>Voltage</u>	<u>Weight</u>	<u>List Price</u>
23050M3A	1/2	4	115	24	\$ -
23050M3	1/2	4	230	24	\$ -
23075M3	3/4	5	230	26	\$ -
23100M3	1	7	230	30	\$ -
23150M3	1 1/2	9	230	36	\$ -
23200M3	2	12	230	41	\$ -
23300M3	3	16	230	53	\$ -
23500M3	5	25	230	83	\$ -

Pump End Only

<u>Model</u>	<u>HP</u>	<u>Stages</u>	<u>Weight</u>	<u>List Price</u>
23050M	1/2	4	7	\$ -
23075M	3/4	5	7	\$ -
23100M	1	7	8	\$ -
23150M	1 1/2	9	9	\$ -
23200M	2	12	10	\$ -
23300M	3	16	11	\$ -
23500M	5	25	18	\$ -





Submersible Pumps



Submersible Pumps

Pump Catalog - January 2020

MORE THAN A BRAND. WE'RE A FAMILY.

23000 Series Domestic Stainless Steel

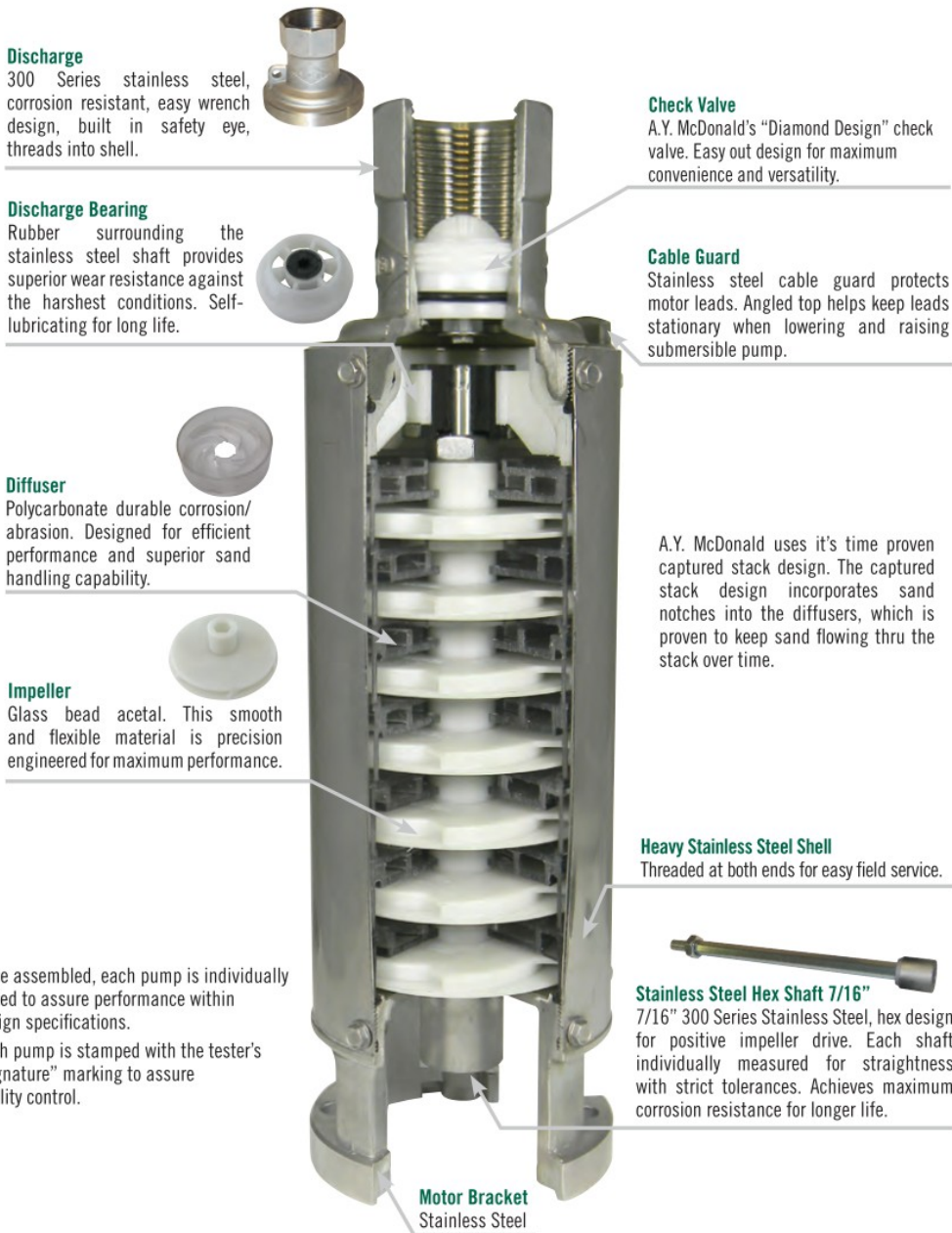
A.Y. McDonald offers a full line of four-inch submersibles ranging from 1/3 through 5 horsepower, with flow rates ranging from 5 through 25 GPM. Our 23000 submersibles offer peak capacity performance in 5, 7, 10, 15, 20, and 25 gallons per minute (GPM) models.

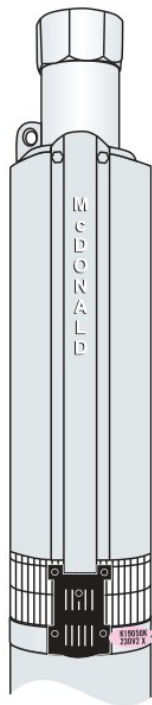
Powered by NEMA approved A.Y. McDonald stainless steel motors.

The charts on the following page will assist you in choosing the pump that meets your needs.

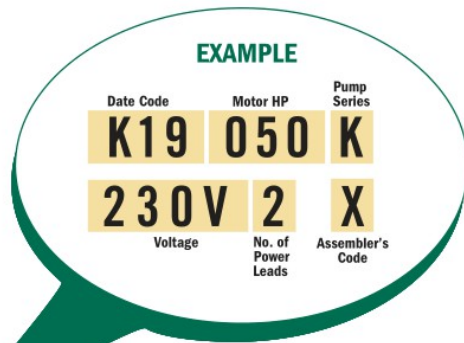


Submersible Pumps





Locating the code number on the pump



A code is stamped on each A.Y. McDonald 23000 series submersible pump. Contained in this code is the following information:

- Date of manufacture
- Motor HP
- Pump Series
- Voltage
- Number of power leads
- Assembler's code

NOTES

- Standard is 230V, Single Phase, 60 HZ (no suffix letter required)
- **Two-Wire Single phase** models include; pump, motor, leads.
- **Three-Wire Single phase** models include; pump, motor, leads, and control box.
- **Three-Wire Three phase** models include; pump, motor, leads, and starter kit.
- All submersible pumps include **internal check valves and grounded lead on motor.**

23000 Series - Domestic Stainless Steel

J - 5 GPM

A.Y. McDonald offers a full line of stainless steel submersible pumps built for years of trouble free operation, with high-efficiency impellers and diffusers. These submersibles offer peak capacity performance in 5, 7, 10, 15, 20, and 25 gallons per minute (GPM). Other features include stainless steel discharge head with a built-in check valve, and stainless steel shaft and coupling.

All Stainless Steel Pumps come with a 1 1/4" discharge and sizes range from 1/3 to 1 1/2 horsepower (HP). Two or three wire models up to 1 1/2 horsepower (HP).

Submersible Pumps

Two Wire Single Phase

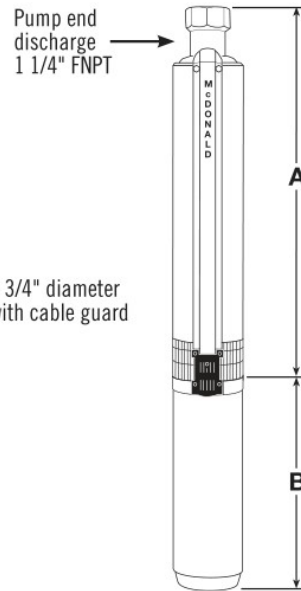
Model No.	HP	Stages	Volt	A	B	Wt.
23030J2A*	1/3	9	115	13.48"	9.53"	26
23030J2*	1/3	9	230	13.48"	9.53"	26
23050J2A	1/2	13	115	16.68"	9.53"	30
23050J2	1/2	13	230	16.68"	9.53"	30
23075J2	3/4	18	230	20.67"	10.66"	36
23100J2	1	23	230	25.93"	11.75"	41
23150J2	1 1/2	30	230	31.45"	15.12"	49

Three Wire** Single Phase

Model No.	HP	Stages	Volt	A	B	Wt.
23030J3A*	1/3	9	115	13.48"	9.53"	26
23030J3*	1/3	9	230	13.48"	9.53"	26
23050J3A	1/2	13	115	16.68"	9.53"	30
23050J3	1/2	13	230	16.68"	9.53"	30
23075J3	3/4	18	230	20.67"	10.66"	36
23100J3	1	23	230	25.93"	11.75"	41
23150J3	1 1/2	30	230	31.45"	13.62"	41

Three Wire** Three Phase

Model No.	HP	Stages	Volt	A	B	Wt.
23150J3Z	1 1/2	30	230	31.45"	15.82"	45



4" Stainless Steel Pump Ends

Model No.	HP	Wt.
23030J	1/3	9
23050J	1/2	10
23075J	3/4	12
23100J	1	13
23150J	1 1/2	18

* All one-third horsepower pumps are furnished with one-half horsepower motors (and control boxes where applicable).

** All three wire pumps are available in three phase by selecting pump end and appropriate motor and starter kit (see pages 108-118).

Output - in Gallons Per Minute (Depth to Water)

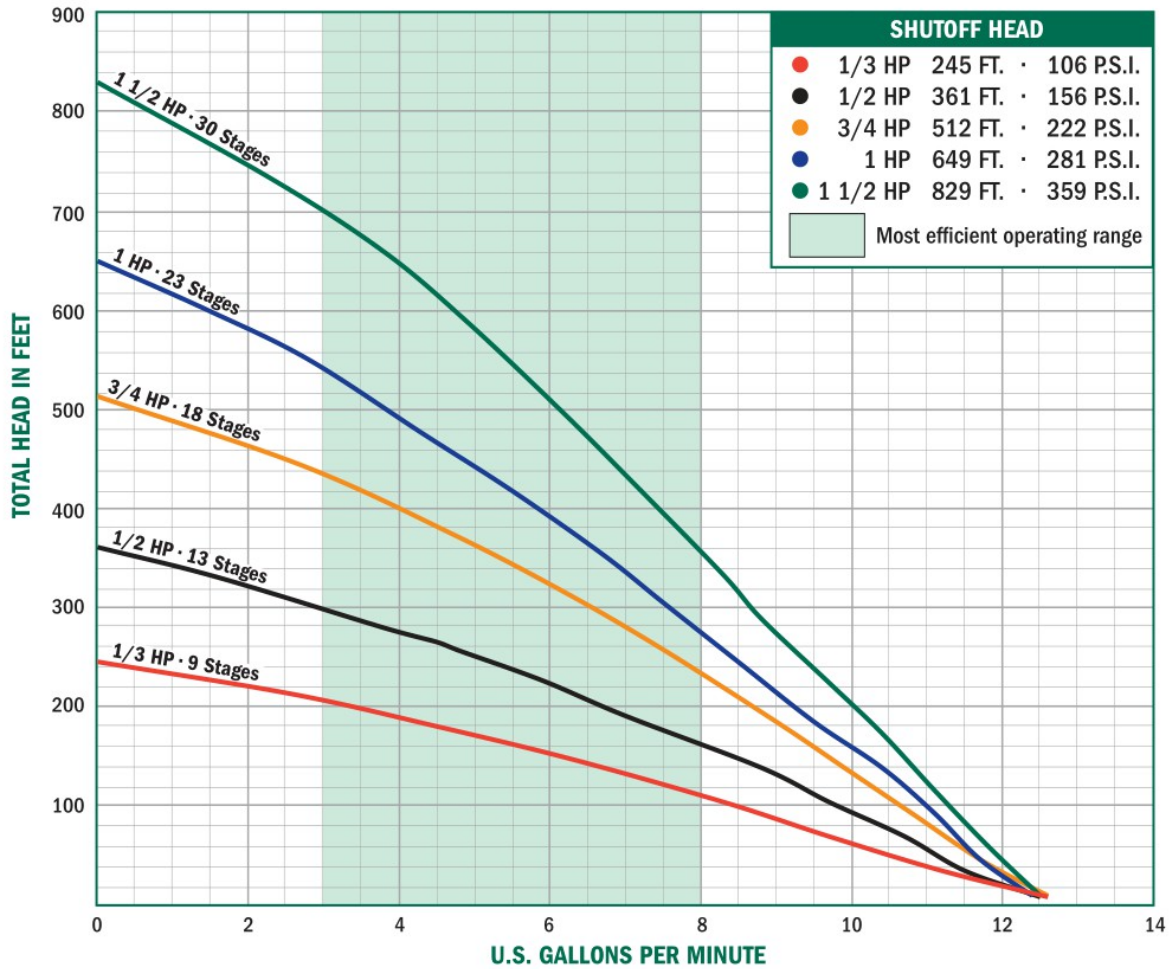
1/3 HP	PSI	25'	50'	75'	100'	125'	150'	175'	200'	225'
	0	11.7	10.6	9.5	8.4	7.3	6.1	4.8	3.4	1.8
30	8.6	7.5	6.4	5.1	3.8	2.2				
40	7.6	6.4	5.2	3.9	2.3					
50	6.5	5.3	4.0	2.5						

1/2 HP	PSI	25'	50'	75'	100'	125'	150'	175'	200'	225'	250'	275'	300'	325'
	0	11.9	11.2	10.5	9.8	9.1	8.4	7.6	6.8	6.0	5.0	4.1	3.0	1.8
30	10.0	9.2	8.5	7.8	7.0	6.1	5.3	4.3	3.2	2.1				
40	9.3	8.6	7.8	7.0	6.2	5.3	4.4	3.3	2.2					
50	8.6	7.9	7.1	6.3	5.4	4.4	3.4	2.3						
60	7.9	7.2	6.3	5.5	4.5	3.5	2.3							

3/4 HP	PSI	25'	50'	75'	100'	125'	150'	175'	200'	225'	250'	275'	300'	325'	350'	375'	400'	425'	450'
	0	12.2	11.7	11.2	10.7	10.2	9.7	9.2	8.7	8.1	7.6	7.1	6.5	5.9	5.3	4.7	4.0	3.3	2.6
30	10.8	10.3	9.8	9.3	8.8	8.3	7.7	7.2	6.6	6.1	5.5	4.9	4.2	3.5	2.7	1.9			
40	10.3	9.8	9.3	8.8	8.3	7.8	7.2	6.7	6.1	5.5	4.9	4.3	3.6	2.8	2.0				
50	9.9	9.4	8.9	8.3	7.8	7.3	6.7	6.2	5.6	4.9	4.3	3.6	2.9	2.0					
60	9.4	8.9	8.4	7.9	7.3	6.8	6.2	5.6	5.0	4.4	3.7	2.9	2.1						

FRICITION LOSSES IN RISER PIPE
HAVE NOT BEEN CALCULATED

J - 5 GPM



Submersible Pumps

	PSI	50'	100'	150'	200'	250'	300'	350'	400'	450'	500'	550'	600'	
1 HP	0	11.7	10.9	10.1	9.3	8.4	7.6	6.7	5.8	4.9	3.9	2.7	1.5	
	30	10.6	9.8	9.0	8.1	7.3	6.4	5.5	4.5	3.4	2.3			
	40	10.2	9.4	8.6	7.7	6.9	6.0	5.0	4.0	2.9	1.7			
	50	9.9	9.0	8.2	7.3	6.4	5.5	4.6	3.5	2.4				
	60	9.5	8.6	7.8	6.9	6.0	5.1	4.1	3.0	1.8				
	PSI	50'	100'	150'	200'	250'	300'	350'	400'	450'	500'	550'	600'	650'
1 1/2 HP	0	15.9	15.1	14.3	13.4	12.4	11.4	10.4	9.2	7.9	6.5	5.0	3.4	1.6
	30	14.8	13.9	13.0	12.1	11.0	9.9	8.7	7.4	5.9	4.4	2.7		
	40	14.4	13.5	12.6	11.6	10.5	9.4	8.1	6.7	5.2	3.6	1.9		
	50	14.0	13.1	12.1	11.1	10.0	8.8	7.5	6.0	4.5	2.8			
	60	13.6	12.7	11.7	10.6	9.5	8.2	6.8	5.3	3.7	2.0			

FRICITION LOSSES IN RISER PIPE HAVE NOT BEEN CALCULATED

23000 Series - Domestic Stainless Steel

V - 7 GPM

A.Y. McDonald offers a full line of stainless steel submersible pumps built for years of trouble free operation, with high-efficiency impellers and diffusers. These submersibles offer peak capacity performance in 5, 7, 10, 15, 20, and 25 gallons per minute (GPM). Other features include stainless steel discharge head with a built-in check valve, and stainless steel shaft and coupling.

All Stainless Steel Pumps come with a 1 1/4" discharge and sizes range from 1/3 to 2 horsepower (HP). Two wire models up to 1 1/2 and three wire models up to 2 horsepower (HP).

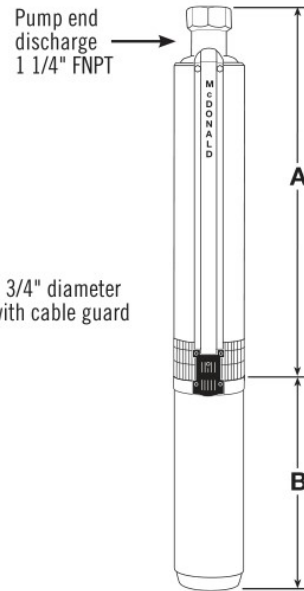
Submersible Pumps

Two Wire Single Phase

Model No.	HP	Stages	Volt	A	B	WT.
23030V2A*	1/3	6	115	11.1"	9.53"	24
23030V2*	1/3	6	230	11.1"	9.53"	25
23050V2A	1/2	9	115	13.48"	9.53"	26
23050V2	1/2	9	230	13.48"	9.53"	26
23075V2	3/4	12	230	15.92"	10.66"	30
23100V2	1	16	230	19.11"	11.75"	34
23150V2	1 1/2	21	230	23.58"	15.12"	46

Three Wire** Single Phase

Model No.	HP	Stages	Volt	A	B	WT.
23030V3A*	1/3	6	115	11.1"	9.53"	25
23030V3*	1/3	6	230	11.1"	9.53"	25
23050V3A	1/2	9	115	13.48"	9.53"	26
23050V3	1/2	9	230	13.48"	9.53"	26
23075V3	3/4	12	230	15.92"	10.66"	30
23100V3	1	16	230	19.11"	11.75"	35
23150V3	1 1/2	21	230	23.58"	13.62"	41
23200V3	2	26	230	28.34"	15.12"	49



4" Stainless Steel Pump Ends

Model No.	HP	WT.
23030V	1/3	9
23050V	1/2	10
23075V	3/4	13
23100V	1	11
23150V	1 1/2	16
23200V	2	18

* All one-third horsepower pumps are furnished with one-half horsepower motors (and control boxes where applicable).

** All three wire pumps are available in three phase by selecting pump end and appropriate motor and starter kit (see pages 108-118).

Output - in Gallons Per Minute (Depth to Water)

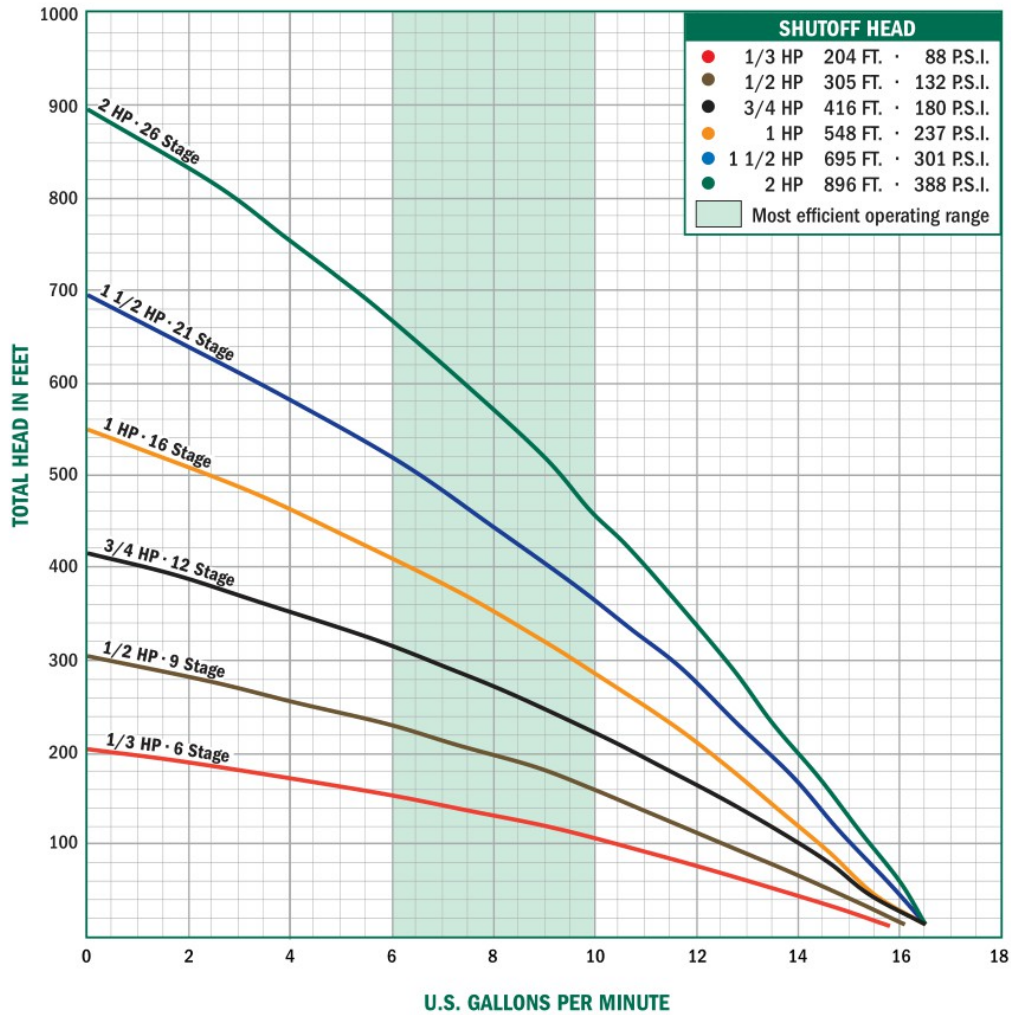
1/3 HP	PSI	25'	50'	75'	100'	125'	150'	175'
	0	15.1	13.7	12.2	10.5	8.6	6.4	3.8
30	10.9	9.0	6.9	4.4	1.3			
40	9.2	7.1	4.6	1.6				
50	7.2	4.8	1.9					

1/2 HP	PSI	25'	50'	75'	100'	125'	150'	175'	200'	225'	250'	275'
	0	15.6	14.6	13.6	12.6	11.5	10.4	9.2	7.8	6.3	4.5	2.5
30	12.8	11.8	10.7	9.5	8.2	6.7	5.0	3.0				
40	11.9	10.8	9.6	8.3	6.8	5.1	3.1					
50	10.9	9.7	8.4	6.9	5.2	3.3						
60	9.8	8.5	7.0	5.4	3.4	1.3						

3/4 HP	PSI	25'	50'	75'	100'	125'	150'	175'	200'	225'	250'	275'	300'	325'	350'	375'
	0	16.1	15.5	14.8	14.0	13.3	12.5	11.6	10.8	9.9	8.9	7.8	6.7	5.5	4.2	2.8
30	14.2	13.4	12.7	11.8	11.0	10.1	9.1	8.1	7.0	5.8	4.5	3.1	1.5			
40	13.5	12.7	11.9	11.0	10.1	9.2	8.2	7.1	5.9	4.6	3.2	1.7				
50	12.8	12.0	11.1	10.2	9.3	8.2	7.2	6.0	4.7	3.3	1.8					
60	12.0	11.2	10.3	9.3	8.3	7.2	6.1	4.8	3.4	1.9						

FRICITION LOSSES IN RISER PIPE HAVE NOT BEEN CALCULATED

V - 7 GPM



Submersible Pumps

1 HP	PSI	25'	50'	75'	100'	125'	150'	175'	200'	225'	250'	275'	300'	325'	350'	375'	400'	425'	450'	475'
	0	16.1	15.5	15.0	14.4	13.9	13.3	12.8	12.2	11.6	11.0	10.3	9.6	8.9	8.1	7.2	6.3	5.4	4.5	3.5
30	14.5	14.0	13.5	12.9	12.3	11.8	11.1	10.5	9.8	9.1	8.3	7.4	6.6	5.6	4.7	3.7	2.7			
40	14.0	13.5	12.9	12.4	11.8	11.2	10.5	9.9	9.1	8.3	7.5	6.6	5.7	4.7	3.8	2.8				
50	13.5	13.0	12.4	11.8	11.2	10.6	9.9	9.2	8.4	7.6	6.7	5.8	4.8	3.8	2.8					
60	13.0	12.5	11.9	11.3	10.6	10.0	9.2	8.5	7.6	6.8	5.8	4.9	3.9	2.9	1.9					

1 1/2 HP	PSI	50'	100'	150'	200'	250'	300'	350'	400'	450'	500'	550'	600'	650'
	0	15.9	15.1	14.3	13.4	12.4	11.4	10.4	9.2	7.9	6.5	5.0	3.4	1.6
30	14.8	13.9	13.0	12.1	11.0	9.9	8.7	7.4	5.9	4.4	2.7			
40	14.4	13.5	12.6	11.6	10.5	9.4	8.1	6.7	5.2	3.6	1.9			
50	14.0	13.1	12.1	11.1	10.0	8.8	7.5	6.0	4.5	2.8				
60	13.6	12.7	11.7	10.6	9.5	8.2	6.8	5.3	3.7	2.0				

2 HP	PSI	50'	100'	150'	200'	250'	300'	350'	400'	450'	500'	550'	600'	650'	700'	750'	800'	850'
	0	16.1	15.4	14.7	14.0	13.3	12.6	11.8	11.0	10.2	9.3	8.4	7.4	6.4	5.3	4.1	2.9	1.5
30	15.1	14.5	13.8	13.0	12.3	11.5	10.7	9.8	8.9	8.0	7.0	6.0	4.9	3.7	2.3			
40	14.8	14.1	13.4	12.7	11.9	11.1	10.3	9.4	8.5	7.6	6.5	5.5	4.3	3.1	1.7			
50	14.5	13.8	13.1	12.3	11.5	10.7	9.9	9.0	8.1	7.1	6.1	4.9	3.8	2.4				
60	14.2	13.5	12.7	12.0	11.2	10.3	9.5	8.6	7.6	6.6	5.6	4.4	3.2	1.8				

FRICITION LOSSES IN RISER PIPE HAVE NOT BEEN CALCULATED

23000 Series - Domestic Stainless Steel

K - 10 GPM

A.Y. McDonald offers a full line of stainless steel submersible pumps built for years of trouble free operation, with high-efficiency impellers and diffusers. These submersibles offer peak capacity performance in 5, 7, 10, 15, 20, and 25 gallons per minute (GPM). Other features include stainless steel discharge head with a built-in check valve, and stainless steel shaft and coupling.

All Stainless Steel Pumps come with a 1 1/4" discharge and sizes range from 1/3 to 5 horsepower (HP). Two wire models up to 1 1/2 and three wire models up to 5 horsepower (HP).

Submersible Pumps

Two Wire Single Phase

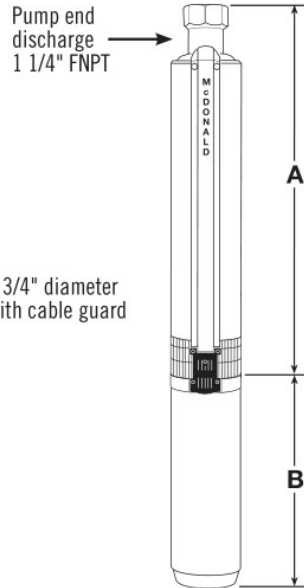
Model No.	HP	Stages	Volt	A	B	WT.
23030K2A*	1/3	5	115	10.51"	9.53"	18
23030K2*	1/3	5	230	10.51"	9.53"	18
23050K2A	1/2	7	115	12.15"	9.53"	25
23050K2	1/2	7	230	12.15"	9.53"	25
23075K2	3/4	9	230	13.84"	10.66"	28
23100K2	1	12	230	16.39"	11.75"	32
23150K2	1 1/2	16	230	21.05"	15.12"	40

Three Wire** Single Phase

Model No.	HP	Stages	Volt	A	B	WT.
23030K3A*	1/3	5	115	10.51"	9.53"	21
23030K3*	1/3	5	230	10.51"	9.53"	21
23050K3A	1/2	7	115	12.15"	9.53"	28
23050K3	1/2	7	230	12.15"	9.53"	28
23075K3	3/4	9	230	13.84"	10.66"	31
23100K3	1	12	230	16.39"	11.75"	35
23150K3	1 1/2	16	230	21.05"	13.62"	44
23200K3	2	20	230	24.48"	15.12"	46
23300K3	3	26	230	29.56"	19.06"	70
23500K3	5	33	230	35.49"	29.62"	89

Three Wire** Three Phase

Model No.	HP	Stages	Volt	A	B	WT.
23150K3Z	1 1/2	16	230	21.05"	15.82"	41
23150K3Y	1 1/2	16	460	21.05"	15.82"	41
23200K3Z	2	20	230	24.48"	17.69"	43
23300K3Z	3	26	230	29.56"	19.20"	60
23500K3Z	5	33	230	35.49"	23.62"	74



4" Stainless Steel Pump Ends

Model No.	HP	WT.
23030K	1/3	7
23050K	1/2	7
23075K	3/4	8
23100K	1	9
23150K	1 1/2	11
23200K	2	14
23300K	3	16
23500K	5	18

* All one-third horsepower pumps are furnished with one-half horsepower motors (and control boxes where applicable).

** All three wire pumps are available in three phase by selecting pump end and appropriate motor and starter kit (see pages 108-118).

Output - in Gallons Per Minute (Depth to Water)

1/3 HP	PSI	25'	50'	75'	100'	125'	150'	175'
	0	18.78	16.62	14.27	11.68	8.75	5.31	0.93
30	12.29	9.45	6.16	2.06				
40	9.68	6.43	2.42					
50	6.70	2.76						
60	3.10							

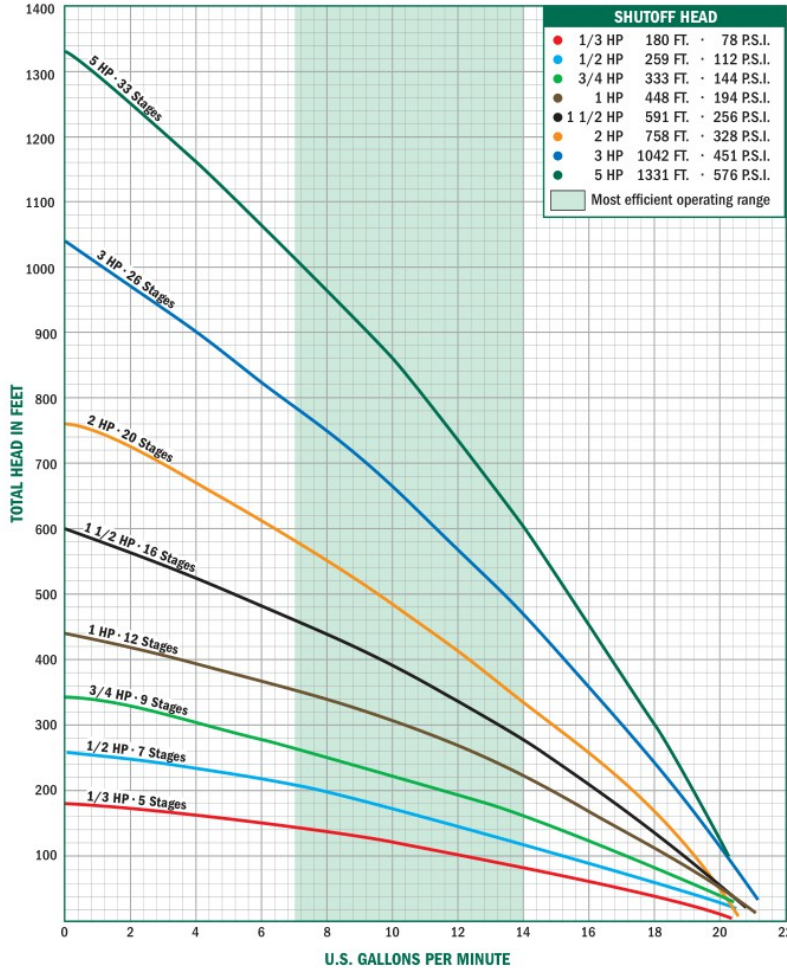
1/2 HP	PSI	25'	50'	75'	100'	125'	150'	175'	200'	225'	250'
	0	19.90	18.49	16.99	15.40	13.69	11.84	9.79	7.49	4.78	1.32
30	15.77	14.09	12.27	10.28	8.04	5.44	2.21				
40	14.22	12.42	10.44	8.22	5.66	2.49					
50	12.56	10.60	8.40	5.87	2.76						
60	10.75	8.58	6.08	3.03							

3/4 HP	PSI	25'	50'	75'	100'	125'	150'	175'	200'	225'	250'	275'	300'	325'
	0	20.36	19.26	18.12	16.93	15.67	14.35	12.95	11.45	9.83	8.05	6.06	3.75	0.89
30	17.20	15.97	14.66	13.28	11.80	10.21	8.47	6.54	4.31	1.61				
40	16.06	14.76	13.39	11.92	10.34	8.61	6.69	4.49	1.84					
50	14.86	13.49	12.03	10.46	8.75	6.85	4.67	2.07						
60	13.60	12.15	10.59	8.89	7.00	4.85	2.29							

FRICITION LOSSES IN RISER PIPE HAVE NOT BEEN CALCULATED

1 HP	PSI	25'	50'	75'	100'	125'	150'	175'	200'	225'	250'	275'	300'	325'	350'	375'	400'	425'
	0	20.86	20.05	19.22	18.36	17.47	16.55	15.60	14.61	13.57	12.48	11.33	10.10	8.79	7.37	5.81	4.06	2.00
30	18.56	17.68	16.77	15.82	14.84	13.81	12.73	11.59	10.39	9.10	7.71	6.18	4.48	2.51	0.09			
40	17.75	16.84	15.89	14.91	13.89	12.81	11.68	10.48	9.20	7.82	6.30	4.61	2.67	0.29				
50	16.91	15.97	14.99	13.97	12.90	11.77	10.58	9.30	7.93	6.42	4.75	2.83	0.50					
60	16.04	15.06	14.05	12.98	11.86	10.67	9.40	8.04	6.54	4.89	2.99	0.70						

K - 10 GPM



Submersible Pumps

Output - in Gallons Per Minute (Depth to Water) - Continued

PSI	50'	100'	150'	200'	250'	300'	350'	400'	450'	500'	550'																
1 1/2 HP	0	20.18	18.95	17.66	16.31	14.87	13.34	11.69	9.89	7.88	5.58	2.80															
	30	18.46	17.15	15.76	14.29	12.72	11.01	9.14	7.03	4.58	1.51																
	40	17.86	16.52	15.09	13.58	11.95	10.17	8.20	5.95	3.27																	
	50	17.25	15.87	14.41	12.84	11.15	9.29	7.20	4.78	1.78																	
	60	16.62	15.21	13.70	12.08	10.31	8.36	6.14	3.49	0.02																	
PSI	50'	100'	150'	200'	250'	300'	350'	400'	450'	500'	550'	600'	650'	700'	750'												
2 HP	0	19.85	18.89	17.89	16.85	15.78	14.66	13.49	12.26	10.96	9.59	8.11	6.51	4.75	2.77	0.46											
	30	18.51	17.49	16.44	15.35	14.21	13.02	11.77	10.44	9.03	7.51	5.85	4.02	1.93													
	40	18.04	17.01	15.94	14.83	13.67	12.45	11.17	9.80	8.34	6.76	5.03	3.09	0.84													
	50	17.57	16.52	15.44	14.30	13.11	11.87	10.55	9.14	7.63	5.98	4.16	2.10														
	60	17.09	16.03	14.92	13.76	12.55	11.27	9.91	8.46	6.89	5.17	3.25	1.02														
PSI	50'	100'	150'	200'	250'	300'	350'	400'	450'	500'	550'	600'	650'	700'	750'	800'	850'	900'	950'	1000'							
3 HP	0	21.05	20.27	19.48	18.67	17.84	16.99	16.11	15.22	14.30	13.35	12.36	11.35	10.30	9.20	8.05	6.85	5.59	4.24	2.81	0.62						
	30	19.97	19.17	18.35	17.51	16.65	15.77	14.87	13.93	12.97	11.98	10.95	9.88	8.76	7.60	6.37	5.08	3.70	2.23								
	40	19.60	18.79	17.96	17.12	16.25	15.36	14.44	13.49	12.52	11.51	10.46	9.37	8.23	7.04	5.78	4.45	3.03	1.50								
	50	19.23	18.41	17.58	16.72	15.84	14.94	14.01	13.05	12.05	11.03	9.96	8.85	7.69	6.47	5.18	3.81	2.34	0.75								
	60	18.85	18.03	17.18	16.32	15.43	14.51	13.57	12.59	11.58	10.54	9.45	8.32	7.13	5.88	4.56	3.14	1.62									
PSI	50'	100'	150'	200'	250'	300'	350'	400'	450'	500'	550'	600'	650'	700'	750'	800'	850'	900'	950'	1000'	1050'	1100'	1150'	1200'	1250'	1300'	
5 HP	0	20.96	20.39	19.81	19.22	18.62	18.01	17.38	16.74	16.09	15.42	14.74	14.04	13.32	12.58	11.82	11.04	10.22	9.38	8.51	7.60	6.64	5.64	4.58	3.45	2.24	0.93
	30	20.17	19.59	18.99	18.39	17.77	17.14	16.49	15.84	15.16	14.47	13.77	13.04	12.29	11.52	10.73	9.90	9.05	8.16	7.23	6.26	5.24	4.15	3.00	1.75	0.39	
	40	19.90	19.31	18.71	18.10	17.48	16.84	16.19	15.53	14.85	14.15	13.43	12.70	11.94	11.16	10.35	9.51	8.64	7.74	6.79	5.80	4.75	3.63	2.43	1.14		
	50	19.63	19.04	18.43	17.82	17.19	16.54	15.89	15.21	14.53	13.82	13.09	12.35	11.58	10.79	9.97	9.11	8.23	7.31	6.34	5.32	4.24	3.09	1.85	0.50		
	60	19.36	18.76	18.15	17.53	16.89	16.24	15.58	14.90	14.20	13.49	12.75	12.00	11.22	10.41	9.58	8.71	7.81	6.86	5.87	4.83	3.72	2.53	1.24			

FRICITION LOSSES IN RISER PIPE HAVE NOT BEEN CALCULATED

23000 Series - Domestic Stainless Steel

L - 15 GPM

A.Y. McDonald offers a full line of stainless steel submersible pumps built for years of trouble free operation, with high-efficiency impellers and diffusers. These submersibles offer peak capacity performance in 5, 7, 10, 15, 20, and 25 gallons per minute (GPM). Other features include stainless steel discharge head with a built-in check valve, and stainless steel shaft and coupling.

All Stainless Steel Pumps come with a 1 1/4" discharge and sizes range from 1/3 to 5 horsepower (HP). Two wire models up to 1 1/2 and three wire models up to 5 horsepower (HP).

Submersible Pumps

Two Wire Single Phase

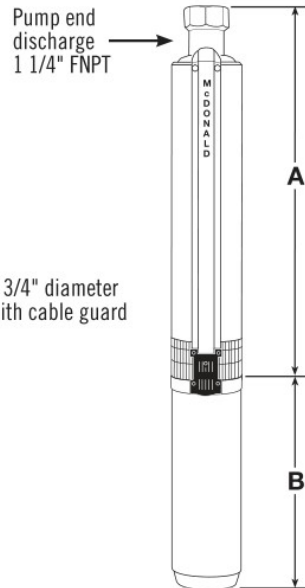
Model No.	HP	Stages	Volt	A	B	WT.
23030L2A*	1/3	5	115	12.02"	9.53"	24
23030L2*	1/3	5	230	12.02"	9.53"	24
23050L2A	1/2	6	115	13.09"	9.53"	24
23050L2	1/2	6	230	13.09"	9.53"	24
23075L2	3/4	8	230	15.25"	10.66"	28
23100L2	1	10	230	17.39"	11.75"	32
23150L2	1 1/2	13	230	20.61"	15.12"	40

Three Wire** Single Phase

Model No.	HP	Stages	Volt	A	B	WT.
23030L3A*	1/3	5	115	12.02"	9.53"	24
23030L3*	1/3	5	230	12.02"	9.53"	24
23050L3A	1/2	6	115	13.09"	9.53"	24
23050L3	1/2	6	230	13.09"	9.53"	24
23075L3	3/4	8	230	15.25"	10.66"	28
23100L3	1	10	230	17.39"	11.75"	32
23150L3	1 1/2	13	230	20.61"	13.62"	37
23200L3	2	17	230	24.91"	15.12"	44
23300L3	3	23	230	32.73"	19.06"	58
23500L3	5	35	230	45.60"	29.62"	85

Three Wire** Three Phase

Model No.	HP	Stages	Volt	A	B	WT.
23150L3Z	1 1/2	13	230	20.61"	11.75"	34
23200L3Z	2	17	230	24.91"	13.62"	41
23300L3Z	3	23	230	32.73"	16.04"	51
23500L3Z	5	35	230	45.60"	23.62"	72



4" Stainless Steel Pump Ends

Model No.	HP	WT.
23030L	1/3	7
23050L	1/2	7
23075L	3/4	8
23100L	1	9
23150L	1 1/2	10
23200L	2	12
23300L	3	15
23500L	5	22

* All one-third horsepower pumps are furnished with one-half horsepower motors (and control boxes where applicable).

** All three wire pumps are available in three phase by selecting pump end and appropriate motor and starter kit (see pages 108-118).

Output - in Gallons Per Minute (Depth to Water)

1/3 HP	PSI	25'	50'	75'	100'	125'
	0	27.82	24.66	21.05	16.70	10.79
30	17.79	12.38				
40	12.86	2.69				
50	4.29					

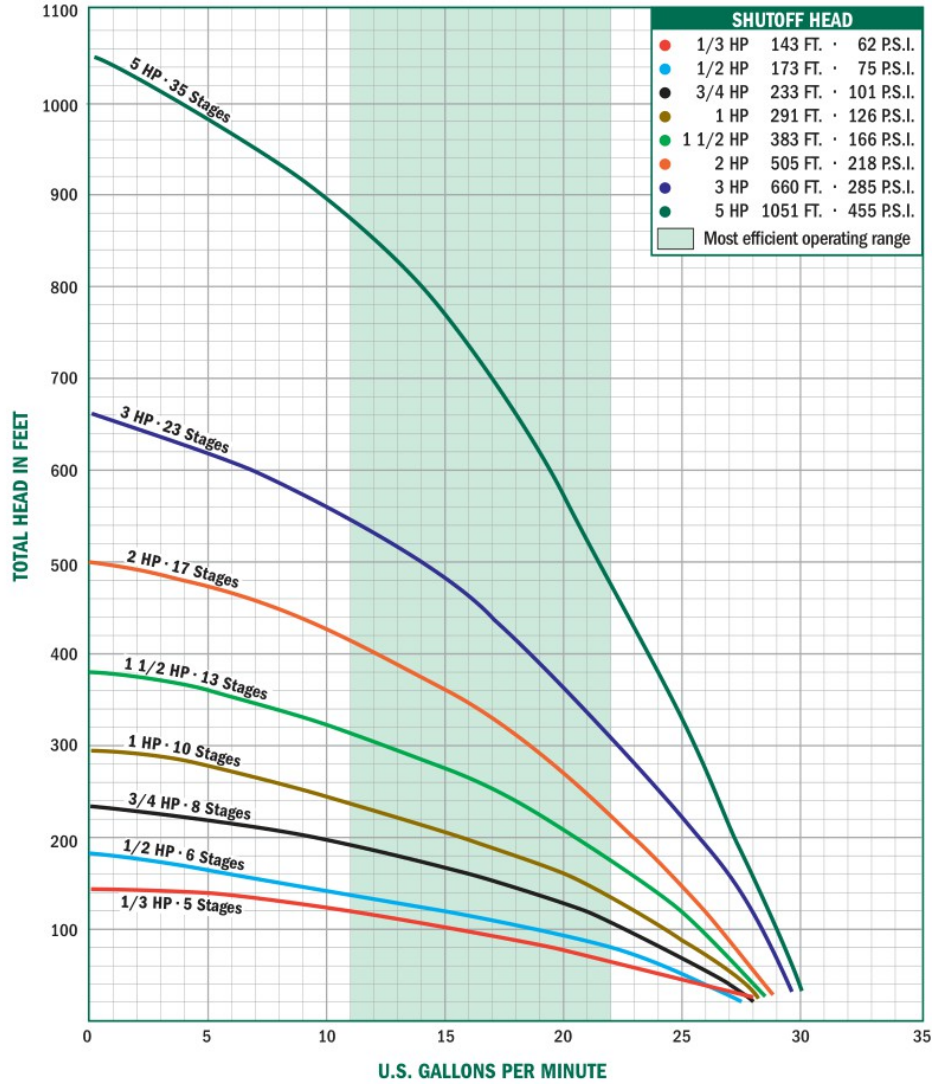
1/2 HP	PSI	25'	50'	75'	100'	125'	150'
	0	28.28	25.58	22.58	19.18	15.14	9.84
30	20.00	16.14	11.23	2.99			
40	16.46	11.66	3.99				
50	12.08	4.85					
60	5.63						

3/4 HP	PSI	25'	50'	75'	100'	125'	150'	175'	200'	225'
	0	28.58	26.69	24.66	22.46	20.05	17.33	14.17	10.21	4.08
30	22.98	20.62	17.98	14.94	11.22	5.91				
40	20.81	18.19	15.19	11.54	6.43					
50	18.40	15.44	11.85	6.92						
60	15.68	12.15	7.38							

1 HP	PSI	25'	50'	75'	100'	125'	150'	175'	200'	225'	250'	300'
	0	28.92	27.42	25.84	24.16	22.37	20.44	18.33	15.97	13.26	9.96	5.33
30	24.55	22.79	20.89	18.83	16.53	13.92	10.78	6.60				
40	22.93	21.04	18.99	16.72	14.13	11.05	6.99					
50	21.19	19.15	16.90	14.34	11.31	7.36						
60	19.31	17.08	14.55	11.56	7.71	0.50						

FRICITION LOSSES IN RISER PIPE HAVE NOT BEEN CALCULATED

L - 15 GPM



Submersible Pumps

1 1/2 HP	PSI	50'	100'	150'	200'	250'	300'	350'
	0	28.02	25.72	23.20	20.39	17.15	13.20	7.62
	30	24.78	22.16	19.20	15.74	11.35	4.06	
	40	23.60	20.84	17.68	13.87	8.68		
	50	22.37	19.44	16.03	11.73	4.93		
	60	21.06	17.94	14.19	9.16			

2 HP	PSI	50'	100'	150'	200'	250'	300'	350'	400'	450'	500'
	0	28.57	26.81	24.93	22.92	20.74	18.34	15.61	12.40	8.28	0.77
	30	26.10	24.18	22.11	19.84	17.33	14.44	10.96	6.18		
	40	25.23	23.24	21.09	18.72	16.05	12.93	9.00	2.66		
	50	24.33	22.27	20.02	17.53	14.68	11.25	6.63			
	60	23.40	21.26	18.91	16.27	13.19	9.34	3.38			

3 HP	PSI	50'	100'	150'	200'	250'	300'	350'	400'	450'	500'	550'	600'	650'
	0	29.55	28.24	26.88	25.45	23.93	22.33	20.60	18.73	16.67	14.34	11.60	8.12	2.19
	30	27.72	26.34	24.87	23.33	21.67	19.90	17.96	15.80	13.34	10.38	6.38		
	40	27.09	25.67	24.17	22.58	20.87	19.02	16.99	14.71	12.05	8.72	3.56		
	50	26.44	24.99	23.45	21.80	20.04	18.11	15.98	13.54	10.63	6.75			
	60	25.78	24.29	22.70	21.01	19.17	17.16	14.90	12.27	9.01	4.12			

FRICITION LOSSES IN RISER PIPE HAVE NOT BEEN CALCULATED

5 HP	PSI	50'	100'	150'	200'	250'	300'	350'	400'	450'	500'	550'	600'	650'	700'	750'	800'	850'	900'	950'	1000'
	0	29.70	28.91	28.10	27.27	26.42	25.54	24.62	23.68	22.69	21.67	20.59	19.47	18.27	17.00	15.63	14.14	12.49	10.61	8.38	5.43
	30	28.60	27.79	26.95	26.08	25.19	24.26	23.30	22.30	21.26	20.17	19.01	17.79	16.48	15.07	13.53	11.80	9.80	7.36	3.85	
	40	28.23	27.40	26.55	25.67	24.76	23.82	22.85	21.83	20.76	19.64	18.46	17.20	15.85	14.38	12.75	10.92	8.75	5.95	0.69	
	50	27.85	27.01	26.15	25.26	24.33	23.38	22.38	21.34	20.25	19.10	17.89	16.59	15.18	13.65	11.94	9.97	7.57	4.20		
	60	27.47	26.62	25.74	24.83	23.90	22.92	21.91	20.84	19.73	18.55	17.30	15.95	14.49	12.88	11.07	8.93	6.20	1.48		

23000 Series - Domestic Stainless Steel

P - 20 GPM

A.Y. McDonald offers a full line of stainless steel submersible pumps built for years of trouble free operation, with high-efficiency impellers and diffusers. These submersibles offer peak capacity performance in 5, 7, 10, 15, 20, and 25 gallons per minute (GPM). Other features include stainless steel discharge head with a built-in check valve, and stainless steel shaft and coupling.

All Stainless Steel Pumps come with a 1 1/4" discharge and sizes range from 1/2 to 5 horsepower (HP). Two wire models up to 1 1/2 and three wire models up to 5 horsepower (HP).

Submersible Pumps

Two Wire Single Phase

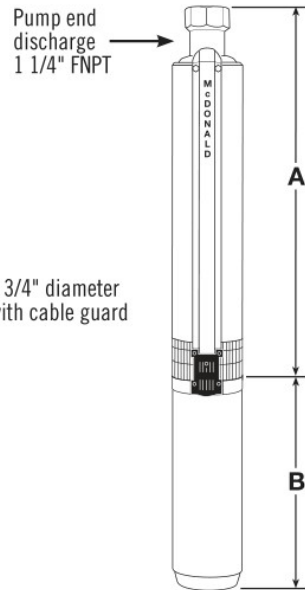
Model No.	HP	Stages	Volt	A	B	WT.
23050P2A	1/2	5	115	12.02"	9.53"	24
23050P2	1/2	5	230	12.02"	9.53"	24
23075P2	3/4	7	230	14.17"	10.66"	28
23100P2	1	9	230	16.32"	11.75"	32
23150P2	1 1/2	12	230	19.54"	15.12"	42

Three Wire** Single Phase

Model No.	HP	Stages	Volt	A	B	WT.
23050P3A	1/2	5	115	12.02"	9.53"	24
23050P3	1/2	5	230	12.02"	9.53"	24
23075P3	3/4	7	230	14.17"	10.66"	27
23100P3	1	9	230	16.32"	11.75"	32
23150P3	1 1/2	12	230	19.54"	13.62"	38
23200P3	2	14	230	21.69"	15.12"	43
23300P3	3	20	230	29.50"	19.06"	56
23500P3	5	32	230	42.38"	29.62"	84

Three Wire Three Phase

Model No.	HP	Stages	Volt	A	B	WT.
23150P3Z	1 1/2	12	230	19.54"	11.75"	35
23200P3Z	2	14	230	21.69"	13.62"	40
23300P3Z	3	20	230	29.50"	16.04"	49
23500P3Z	5	32	230	42.38"	23.62"	72
23500P3Y	5	32	460	42.38"	23.62"	72



4" Stainless Steel Pump Ends

Model No.	HP	WT.
23050P	1/2	6
23075P	3/4	8
23100P	1	9
23150P	1 1/2	10
23200P	2	11
23300P	3	14
23500P	5	22

** All three wire pumps are available in three phase by selecting pump end and appropriate motor and starter kit (see pages 108-118).

Output - in Gallons Per Minute (Depth to Water)

PSI	25'	50'	75'	100'	125'
0	32.34	28.61	24.35	19.26	12.48
30	20.53	14.28	2.68		
40	14.83	4.36			
50	5.68				

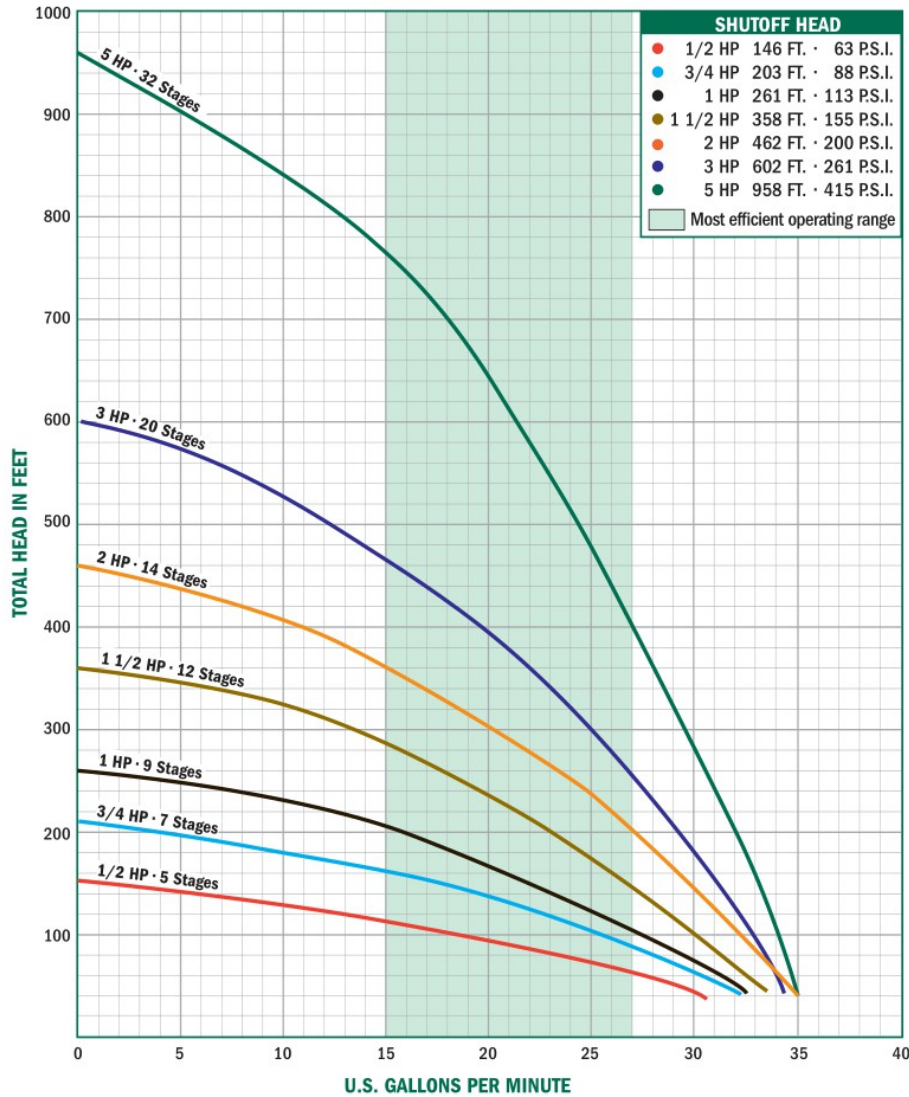
PSI	25'	50'	75'	100'	125'	150'	175'	200'
0	32.36	29.82	27.06	24.01	20.58	16.54	11.39	2.53
30	24.74	21.40	17.53	12.71	5.44			
40	21.67	17.85	13.13	6.20				
50	18.16	13.54	6.91					
60	13.93	7.56						

PSI	25'	50'	75'	100'	125'	150'	175'	200'	225'	250'
0	33.30	31.39	29.36	27.19	24.84	22.26	19.37	16.02	11.88	5.72
30	27.70	25.39	22.87	20.06	16.84	12.92	7.49			
40	25.57	23.07	20.29	17.10	13.26	8.01				
50	23.27	20.51	17.36	13.58	8.50					
60	20.73	17.62	13.90	8.97						

PSI	50'	100'	150'	200'	250'	300'	350'
0	32.95	29.95	26.64	22.90	18.50	12.88	3.03
30	28.71	25.26	21.30	16.53	10.04		
40	27.17	23.50	19.23	13.86	5.38		
50	25.53	21.62	16.93	10.65			
60	23.80	19.58	14.33	6.32			

FRICITION LOSSES IN RISER PIPE HAVE NOT BEEN CALCULATED

P - 20 GPM



Submersible Pumps

PSI	50'	100'	150'	200'	250'	300'	350'	400'
0	34.88	32.45	29.85	27.04	23.94	20.46	16.41	11.33
30	31.47	28.79	25.88	22.65	18.98	14.61	8.85	
40	30.26	27.48	24.43	21.02	17.07	12.20	5.06	
50	29.00	26.11	22.91	19.28	14.97	9.38		
60	27.70	24.68	21.30	17.40	12.62	5.79		

PSI	50'	100'	150'	200'	250'	300'	350'	400'	450'	500'	550'
0	34.31	32.64	30.88	29.03	27.05	24.92	22.61	20.06	17.16	13.72	9.23
30	31.97	30.18	28.28	26.25	24.06	21.66	18.99	15.91	12.16	6.88	
40	31.15	29.31	27.36	25.26	22.98	20.47	17.63	14.29	10.02	2.58	
50	30.32	28.43	26.41	24.23	21.85	19.20	16.16	12.48	7.39		
60	29.46	27.51	25.42	23.16	20.67	17.86	14.57	10.40	3.55		

FRICITION LOSSES IN RISER PIPE HAVE NOT BEEN CALCULATED

PSI	50'	100'	150'	200'	250'	300'	350'	400'	450'	500'	550'	600'	650'	700'	750'	800'	850'	900'	950'
0	35.14	34.10	33.04	31.94	30.80	29.62	28.40	27.12	25.79	24.38	22.90	21.32	19.62	17.78	15.74	13.43	10.69	7.15	.01
30	33.70	32.62	31.50	30.35	29.16	27.91	26.61	25.25	23.82	22.30	20.68	18.93	17.02	14.88	12.43	9.46	5.32		
40	33.20	32.11	30.98	29.80	28.59	27.32	25.99	24.60	23.13	21.56	19.89	18.07	16.06	13.80	11.15	7.77	2.10		
50	32.70	31.59	30.44	29.25	28.01	26.71	25.36	23.93	22.42	20.80	19.07	17.17	15.06	12.64	9.81	5.71			
60	32.19	31.06	29.89	28.68	27.42	26.10	24.71	23.24	21.69	20.02	18.21	16.22	13.98	11.37	8.07	2.79			

23000 Series - Domestic Stainless Steel

M - 25 GPM

A.Y. McDonald offers a full line of stainless steel submersible pumps built for years of trouble free operation, with high-efficiency impellers and diffusers. These submersibles offer peak capacity performance in 5, 7, 10, 15, 20, and 25 gallons per minute (GPM). Other features include stainless steel discharge head with a built-in check valve, and stainless steel shaft and coupling.

All Stainless Steel Pumps come with a 1 1/4" discharge and sizes range from 1/2 to 5 horsepower (HP). Two wire models up to 1 1/2 and three wire models up to 5 horsepower (HP).

Submersible Pumps

Two Wire Single Phase

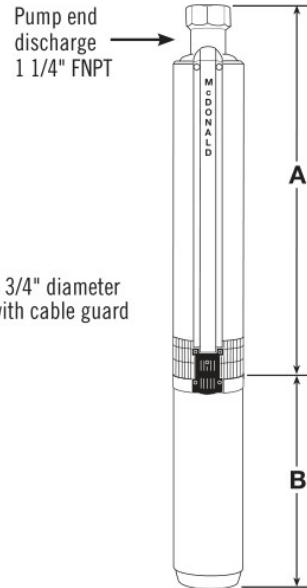
Model No.	HP	Stages	Volt	A	B	WT.
23050M2A	1/2	4	115	10.94"	9.53"	24
23050M2	1/2	4	230	10.94"	9.53"	24
23075M2	3/4	5	230	12.02"	10.66"	26
23100M2	1	7	230	14.17"	11.75"	31
23150M2	1 1/2	9	230	16.32"	15.12"	40

Three Wire** Single Phase

Model No.	HP	Stages	Volt	A	B	WT.
23050M3A	1/2	4	115	10.94"	9.53"	24
23050M3	1/2	4	230	10.94"	9.53"	24
23075M3	3/4	5	230	12.02"	10.66"	26
23100M3	1	7	230	14.17"	11.75"	30
23150M3	1 1/2	9	230	16.32"	13.62"	36
23200M3	2	12	230	19.54"	15.12"	41
23300M3	3	16	230	23.83"	19.06"	53
23500M3	5	25	230	34.88"	29.62"	83

Three Wire Three Phase

Model No.	HP	Stages	Volt	A	B	WT.
23150M3Z	1 1/2	9	230	16.32"	11.75"	32
23150M3Y	1 1/2	9	460	16.32"	11.75"	33
23200M3Z	2	12	230	19.54"	13.62"	38
23200M3Y	2	12	460	19.54"	13.62"	38
23300M3Z	3	16	230	23.83"	16.04"	46
23300M3Y	3	16	460	23.83"	16.04"	46
23500M3Z	5	25	230	34.88"	23.62"	69
23500M3Y	5	25	460	34.88"	23.62"	69



4" Stainless Steel Pump Ends

Model No.	HP	WT.
23050M	1/2	7
23075M	3/4	7
23100M	1	8
23150M	1 1/2	9
23200M	2	10
23300M	3	11
23500M	5	18

** All three wire pumps are available in three phase by selecting pump end and appropriate motor and starter kit (see pages 108-118).

Output - in Gallons Per Minute (Depth to Water)

1/2 HP	PSI	25'	50'	75'	100'
	0	34.97	29.23	22.43	13.64
	30	15.93	2.93		
	40	4.38			

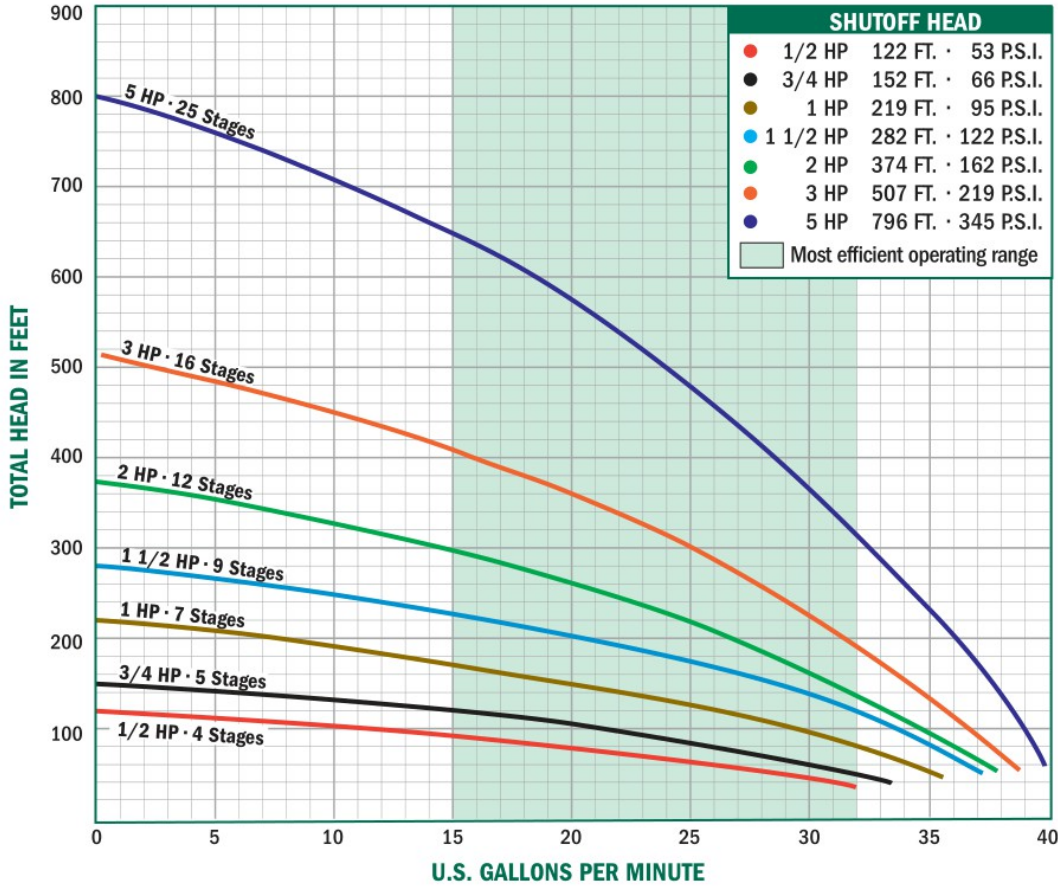
3/4 HP	PSI	25'	50'	75'	100'	125'	150'
	0	36.08	31.97	27.33	21.88	14.91	2.74
	30	23.22	16.71	6.80			
	40	17.27	7.85				
	50	8.81					

1 HP	PSI	25'	50'	75'	100'	125'	150'	175'	200'
	0	38.23	35.39	32.34	29.02	25.34	21.13	16.10	9.38
	30	29.81	26.22	22.15	17.35	11.16			
	40	26.50	22.48	17.75	11.71	1.28			
	50	22.80	18.14	12.24	2.61				
	60	18.53		3.73					

1 1/2 HP	PSI	25'	50'	75'	100'	125'	150'	175'	200'	225'	250'	275'
	0	40.00	37.82	35.52	33.08	30.47	27.63	24.52	21.01	16.91	11.76	3.56
	30	33.65	31.08	28.30	25.26	21.85	17.91	13.07	6.06			
	40	31.28	28.52	25.50	22.13	18.24	13.49	6.76				
	50	28.74	25.74	22.40	18.56	13.90	7.42					
	60	25.98		18.87	14.29	8.04						

FRICITION LOSSES IN RISER PIPE HAVE NOT BEEN CALCULATED

M - 25 GPM



Submersible Pumps

PSI	50'	100'	150'	200'	250'	300'	350'
0	38.07	34.66	30.92	26.74	21.91	15.98	7.38
30	33.26	29.37	24.97	19.79	13.16	1.33	
40	31.52	27.42	22.70	16.98	9.04		
50	29.68	25.33	20.23	13.75	2.92		
60	27.75	23.09	17.47	9.80			

PSI	50'	100'	150'	200'	250'	300'	350'	400'	450'	500'
0	39.30	36.84	34.22	31.42	28.38	25.02	21.23	16.75	11.09	1.27
30	35.85	33.16	30.28	27.12	23.62	19.61	14.78	8.24		
40	34.63	31.86	28.86	25.55	21.84	17.51	12.08	3.58		
50	33.38	30.50	27.37	23.90	19.94	15.19	8.85			
60	32.08	29.09	25.82	22.14	17.87	12.56	4.51			

FRICITION LOSSES IN RISER PIPE HAVE NOT BEEN CALCULATED

PSI	50'	100'	150'	200'	250'	300'	350'	400'	450'	500'	550'	600'	650'	700'	750'
0	40.4	38.9	37.4	35.8	34.1	32.4	30.6	28.6	26.5	24.2	21.6	18.7	15.2	11.0	5.8
30	38.3	36.8	35.2	33.5	31.7	29.8	27.8	25.6	23.2	20.5	17.4	13.7	9.2	3.5	
40	37.6	36.0	34.4	32.7	30.9	28.9	26.8	24.5	22.0	19.1	15.8	11.7	6.7		
50	36.9	35.3	33.6	31.9	30.0	28.0	25.8	23.4	20.7	17.7	14.0	9.5			
60	36.2	34.5	32.8	31.0	29.1	27.0	24.7	22.2	19.4	16.1	12.1	7.1			